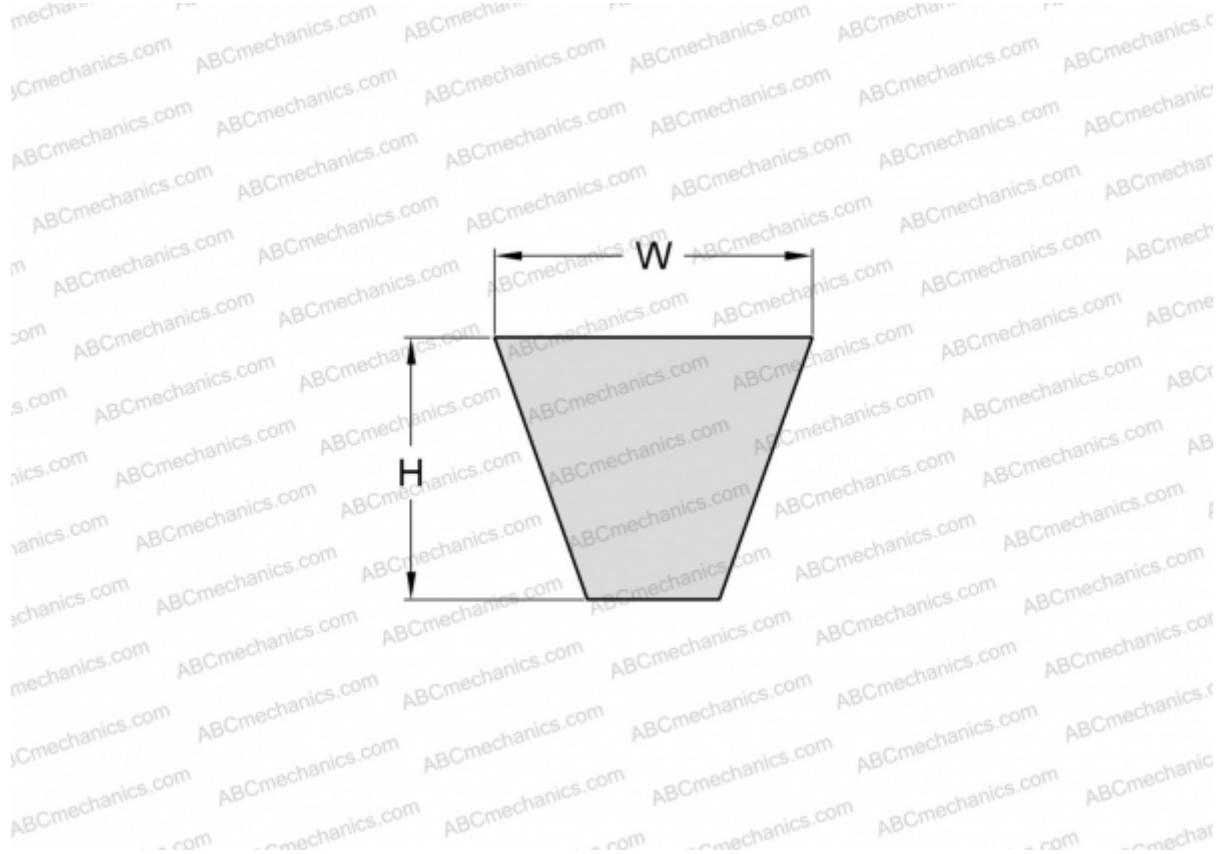


PHG 3VX450 SKF

Cogged raw edge narrow wedge belt

TYPE: V- belts, Narrow, Cogged standart ANSI (USA), Section 3VX/9NX (SKF)



Technical specification

DIMENSIONS, MM

| | |
|------------------|----------|
| Estimated length | 1143,000 |
| Width, W | 9,000 |
| Height, H | 8,000 |

MANUFACTURER

[SKF](#)