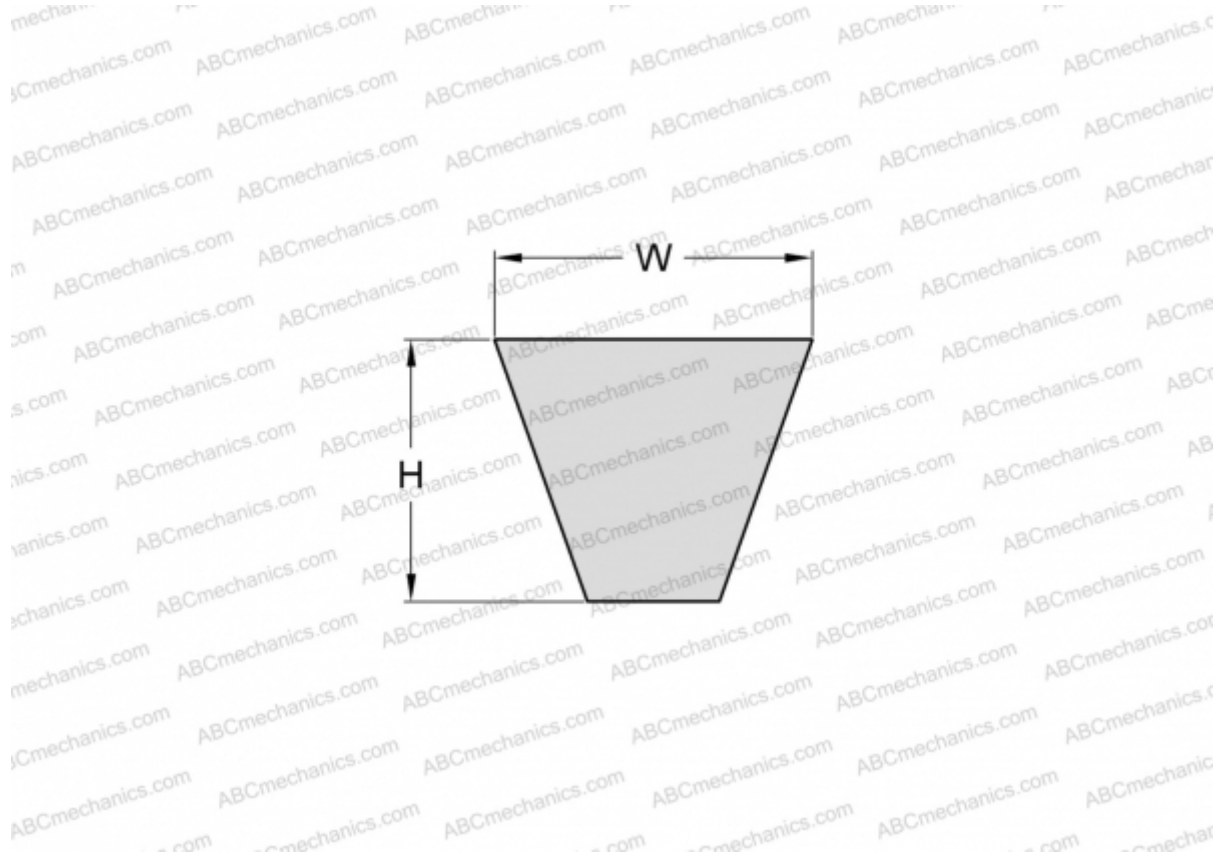


## PHG 5VX1500 SKF

Cogged raw edge narrow wedge belt

TYPE: V- belts, Narrow, Cogged standart ANSI (USA), Section 5VX/15NX (SKF)



### Technical specification

#### DIMENSIONS, MM

Estimated length	3810,000
Width, W	15,000
Height, H	13,000

#### MANUFACTURER

[SKF](#)