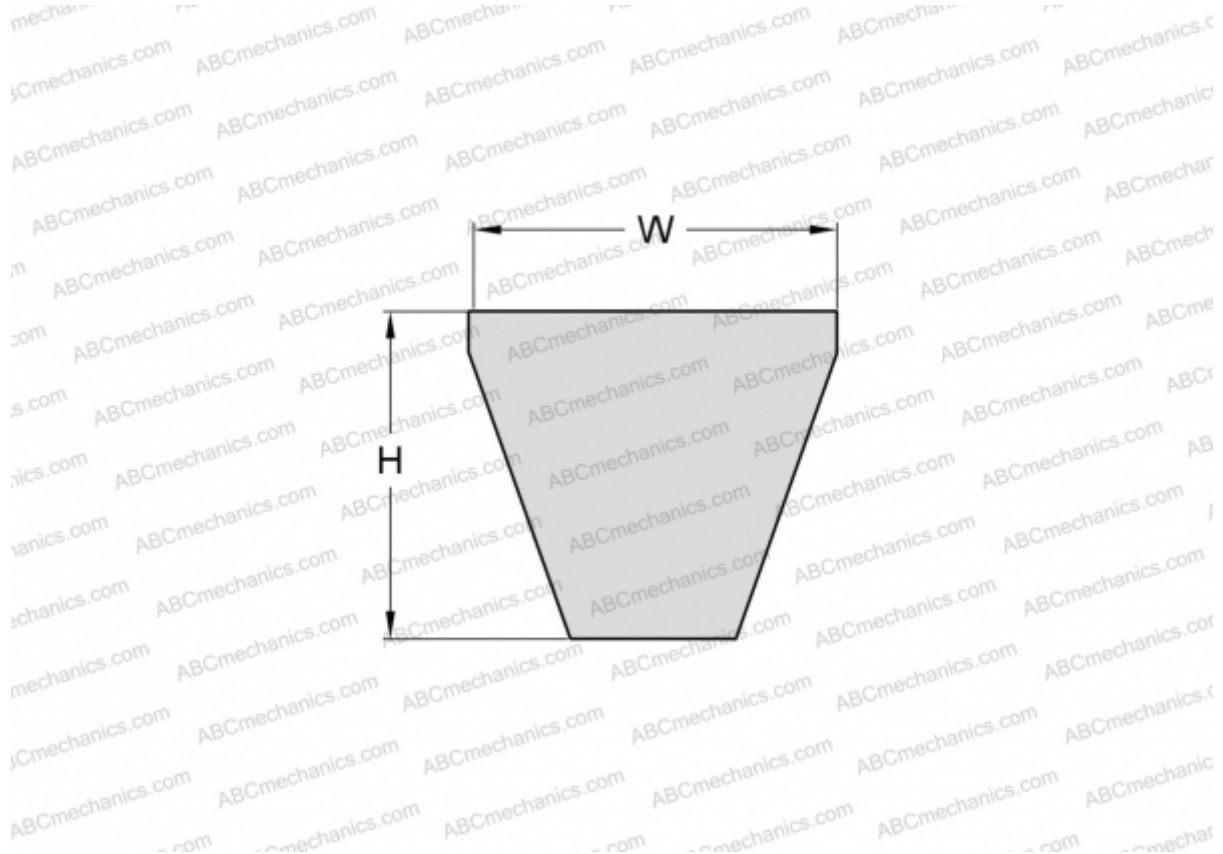


PHG 8V1600XP SKF

Xtra Power wrapped narrow wedge belt

TYPE: V- belts, Narrow, SKF Xtra Power wrapped narrow wedge belts ANSI (USA), Section 8V XP (SKF)



Technical specification

DIMENSIONS, MM

Estimated length	4064,000
Width, W	25,000
Height, H	23,000

MANUFACTURER

[SKF](#)