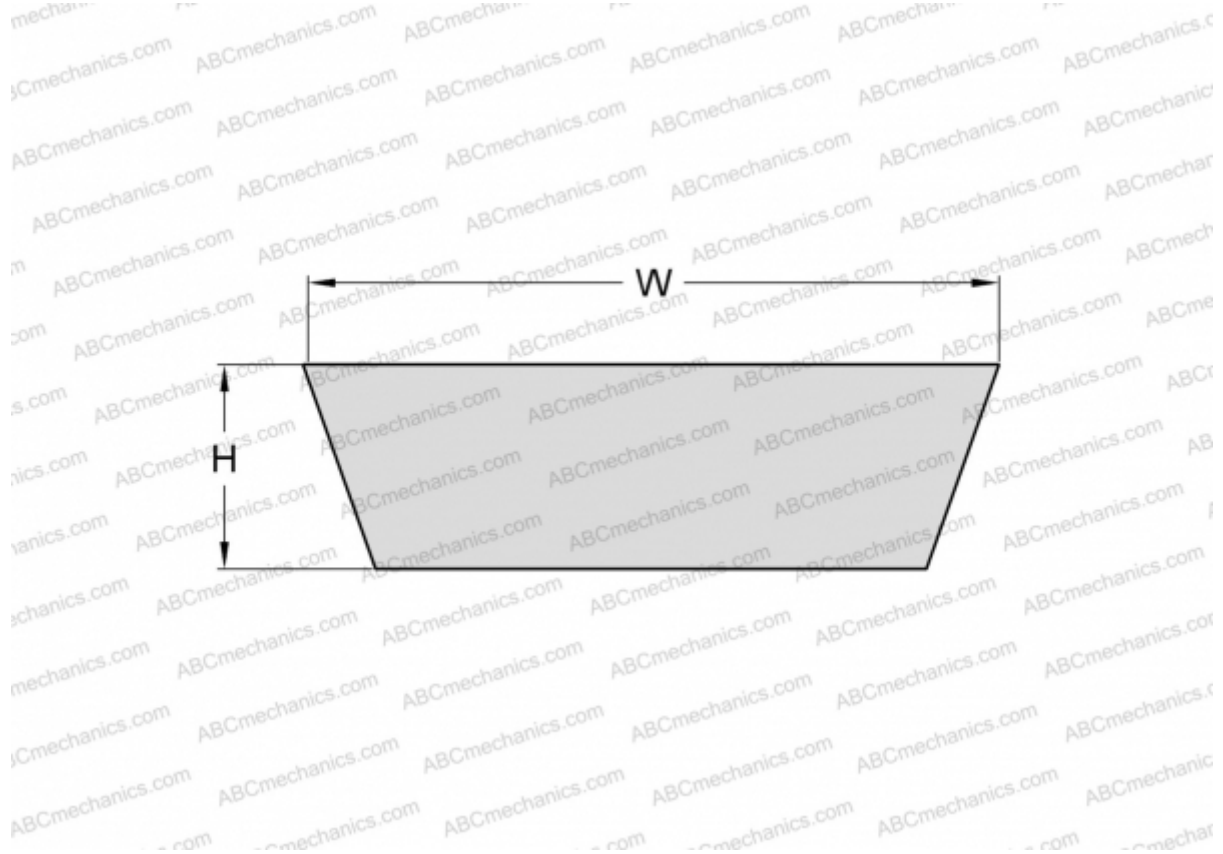


PHG VS52X16X1250 SKF

Variable speed belt

TYPE: V- belts, Variable speed belts, Section VS (SKF)



Technical specification

DIMENSIONS, MM

| | |
|------------------|----------|
| Estimated length | 1303,000 |
| Inner length | 1250,000 |
| Width, W | 52,000 |
| Height, H | 16,000 |
| Number of teeth | 1 |

MANUFACTURER

[SKF](#)