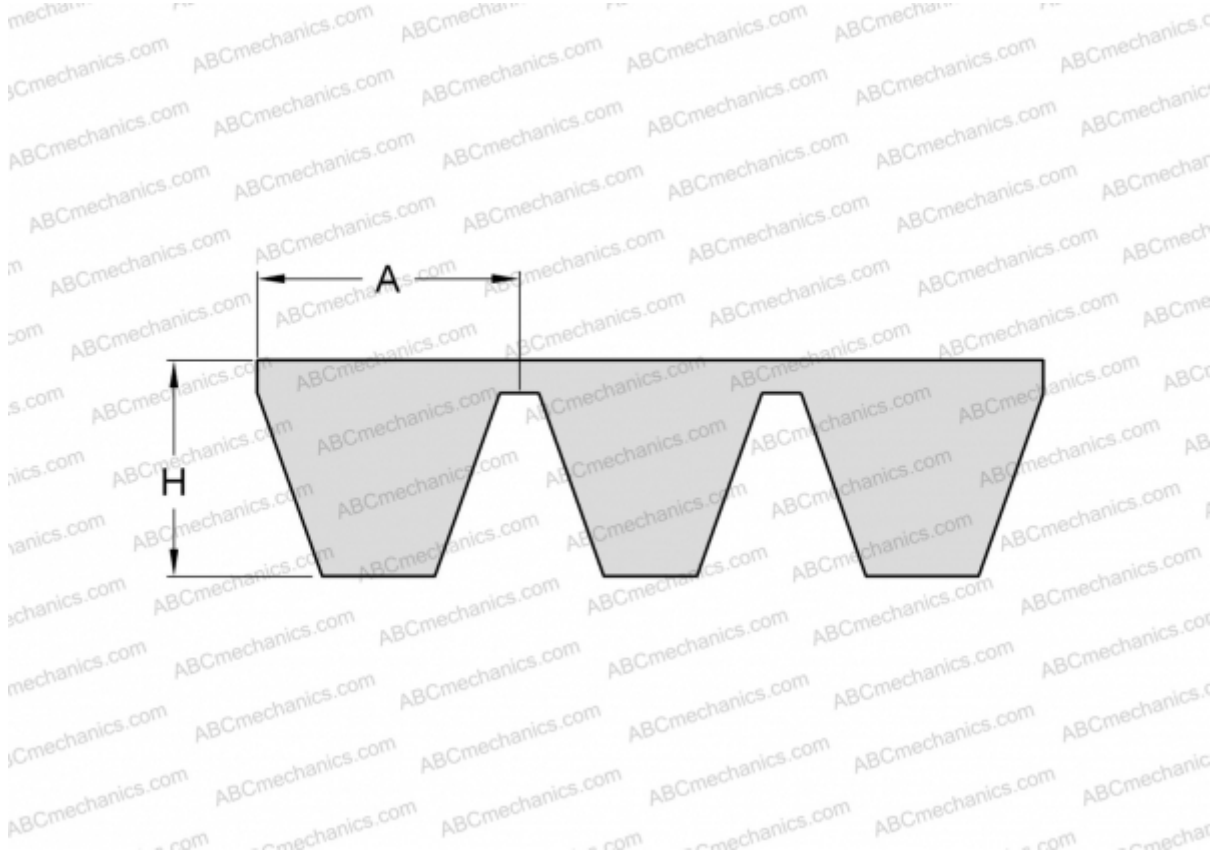


## PHG A100X4 SKF

Banded classical belt

TYPE: V- belts, Banded belts, Classical, Section 13/A (SKF)



### Technical specification

#### DIMENSIONS, MM

Estimated length	2570,000
Inner length	2540,000
Width, W	52,000
Height, H	9,900
A	13,000

#### MANUFACTURER

[SKF](#)