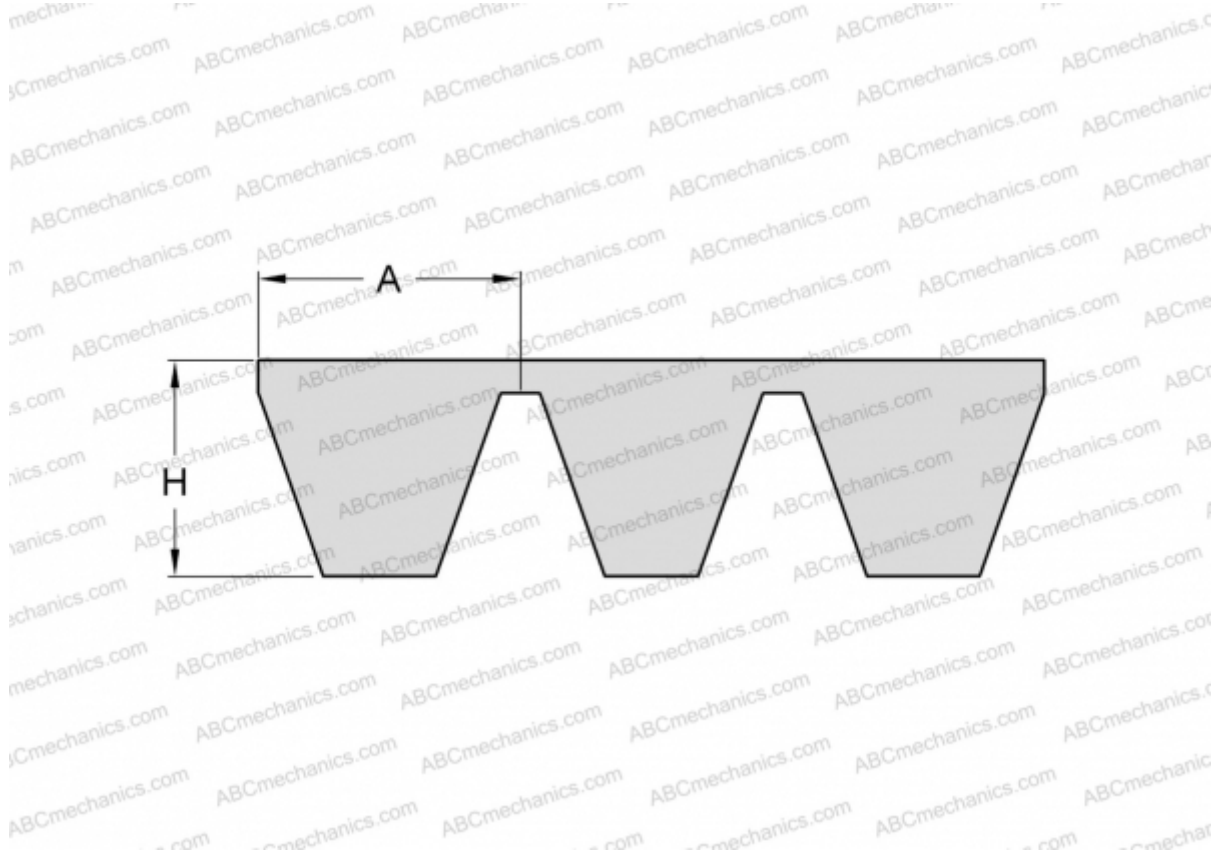


## PHG A120X3 SKF

Banded classical belt

TYPE: V- belts, Banded belts, Classical, Section 13/A (SKF)



### Technical specification

#### DIMENSIONS, MM

|                  |          |
|------------------|----------|
| Estimated length | 3080,000 |
| Inner length     | 3048,000 |
| Width, W         | 39,000   |
| Height, H        | 9,900    |
| A                | 13,000   |

#### MANUFACTURER

[SKF](#)