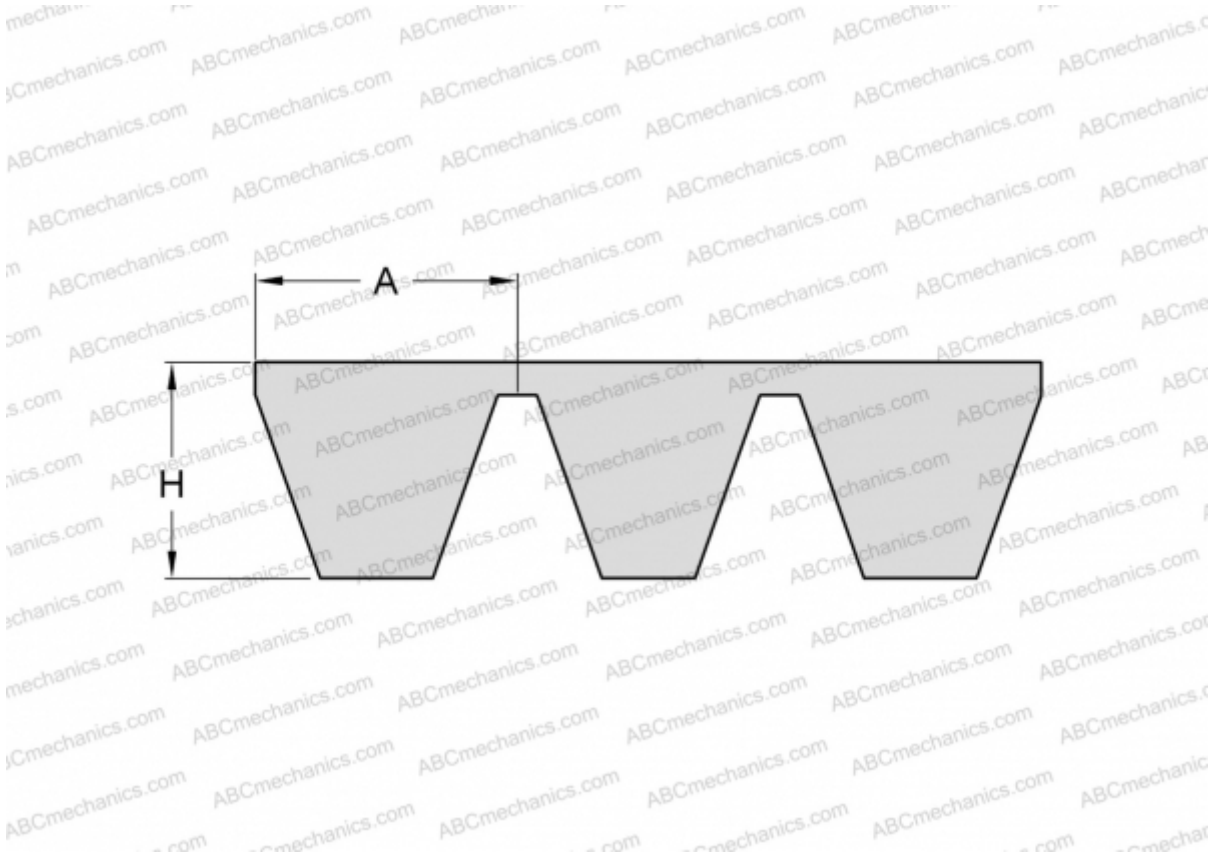




# PHG C167X3 SKF

Banded classical belt

TYPE: V- belts, Banded belts, Classical, Section 22/C (SKF)



## Technical specification

DIMENSIONS, MM	
Estimated length	4300,000
Inner length	4241,800
Width, W	66,000
Height, H	16,200
A	22,000

MANUFACTURER [SKF](#)

