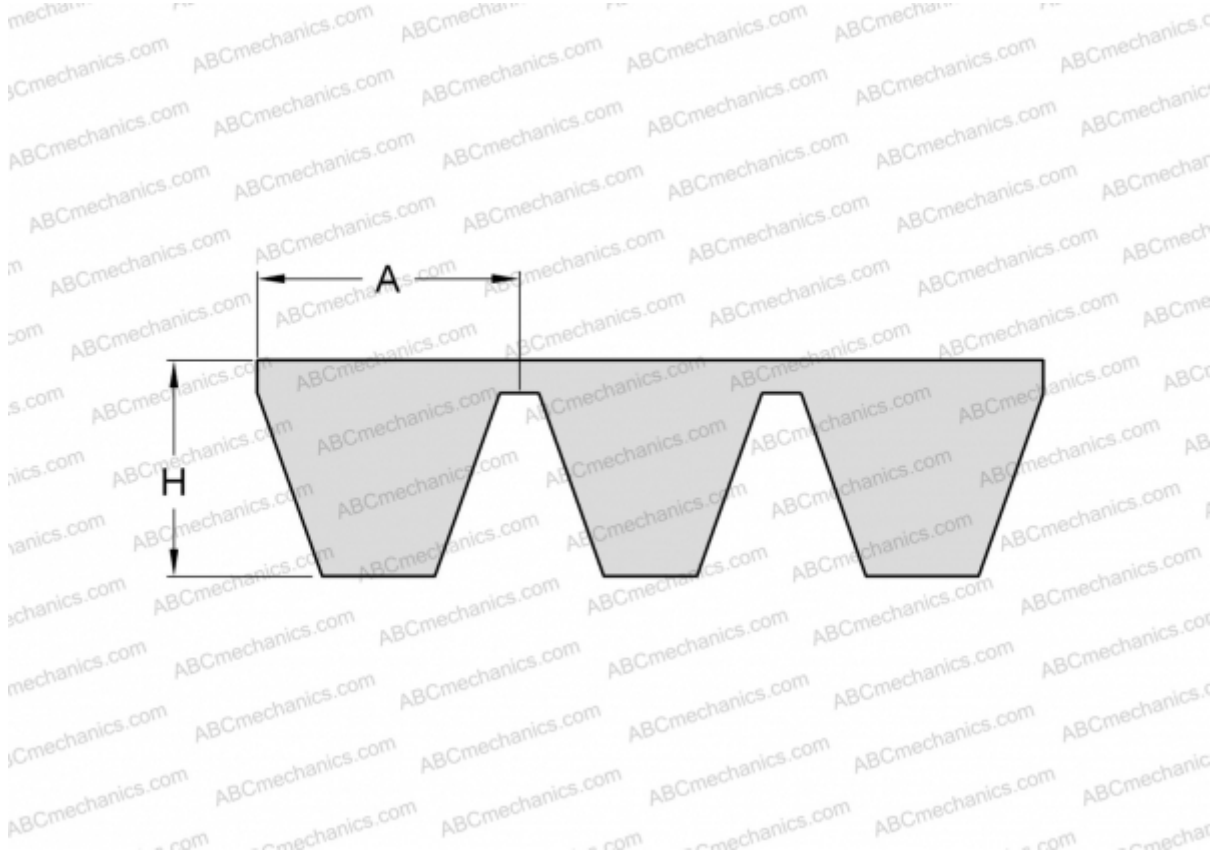


## PHG C197X5 SKF

Banded classical belt

TYPE: V- belts, Banded belts, Classical, Section 22/C (SKF)



### Technical specification

#### DIMENSIONS, MM

Estimated length	5060,000
Inner length	5003,800
Width, W	110,000
Height, H	16,200
A	22,000

#### MANUFACTURER

[SKF](#)