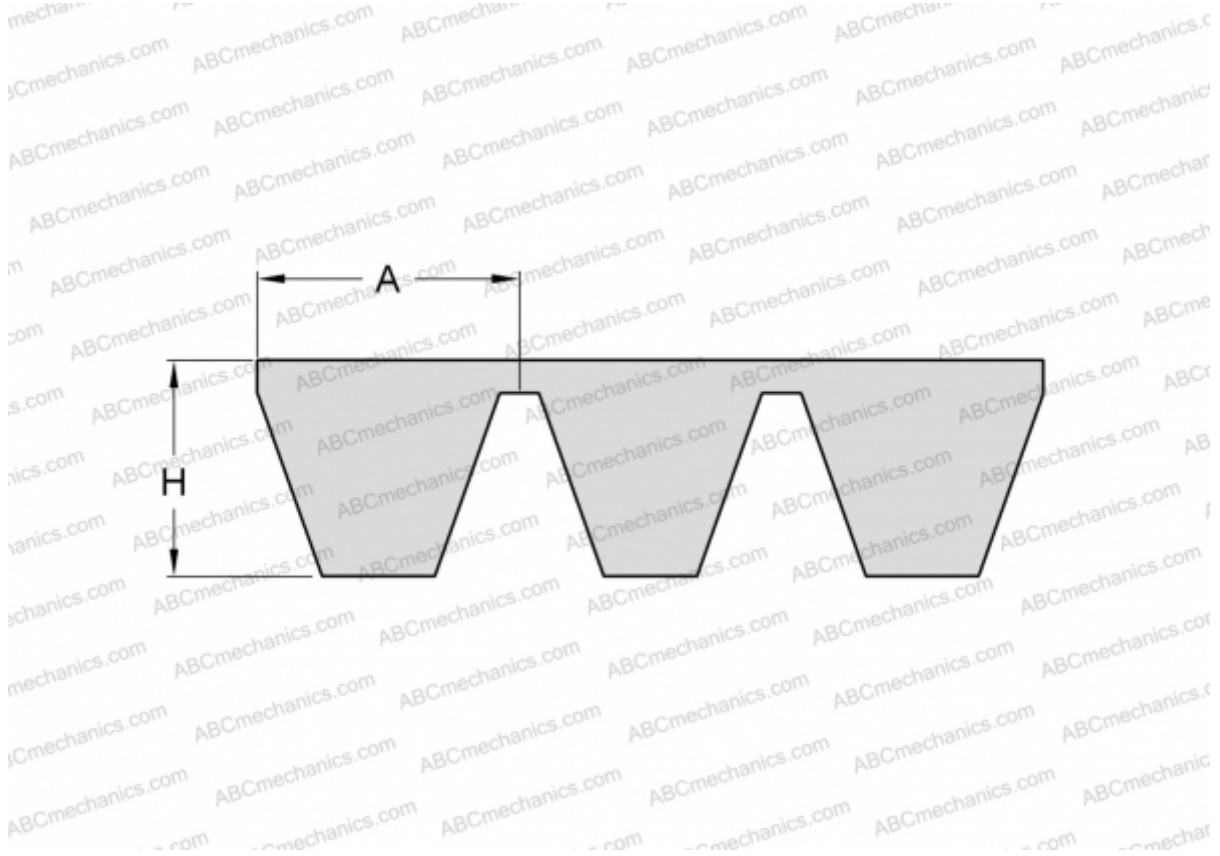


PHG C248X5 SKF

Banded classical belt

TYPE: V- belts, Banded belts, Classical, Section 22/C (SKF)



Technical specification

DIMENSIONS, MM

| | |
|------------------|----------|
| Estimated length | 6360,000 |
| Inner length | 6299,200 |
| Width, W | 110,000 |
| Height, H | 16,200 |
| A | 22,000 |

MANUFACTURER

[SKF](#)