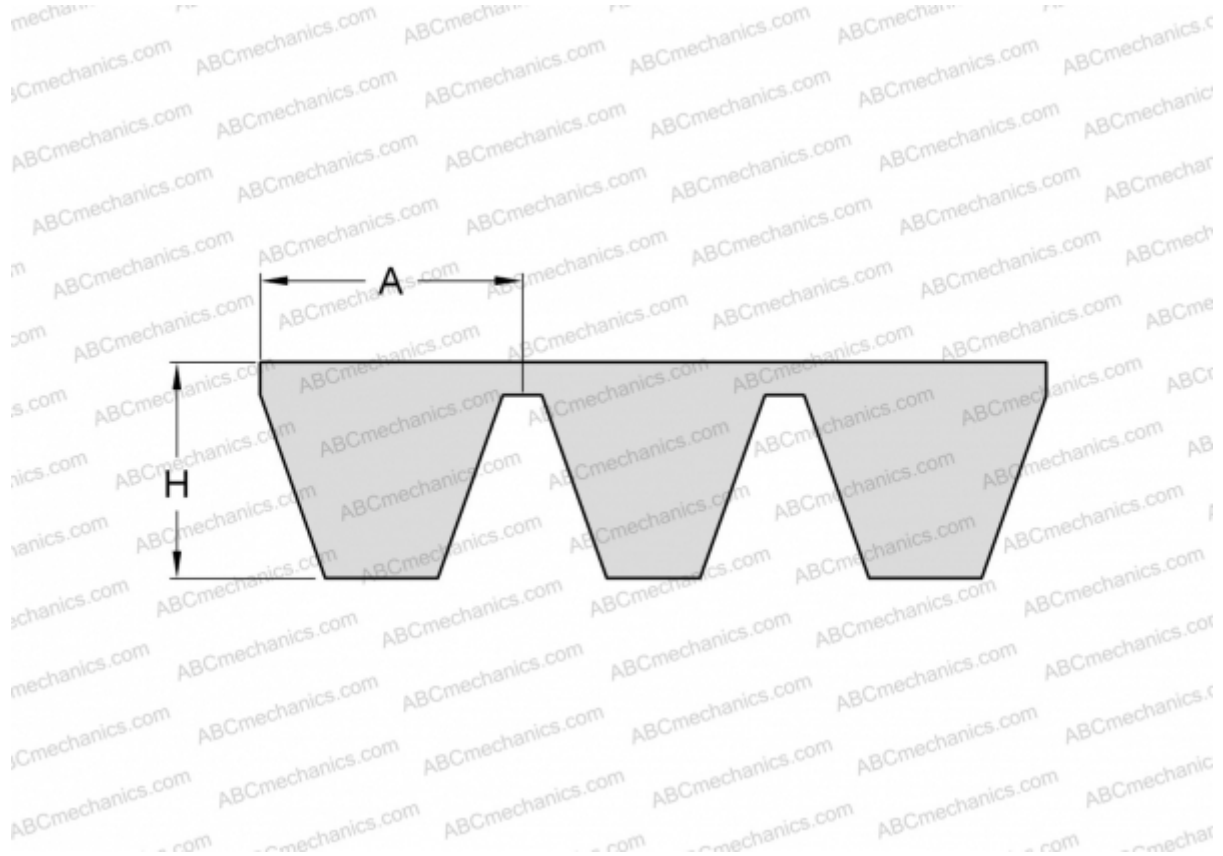


## PHG D210X4 SKF

Banded classical belt

TYPE: V- belts, Banded belts, Classical, Section 32/D (SKF)



### Technical specification

#### DIMENSIONS, MM

Estimated length	5400,000
Inner length	5334,000
Width, W	128,000
Height, H	22,400
A	32,000

#### MANUFACTURER

[SKF](#)