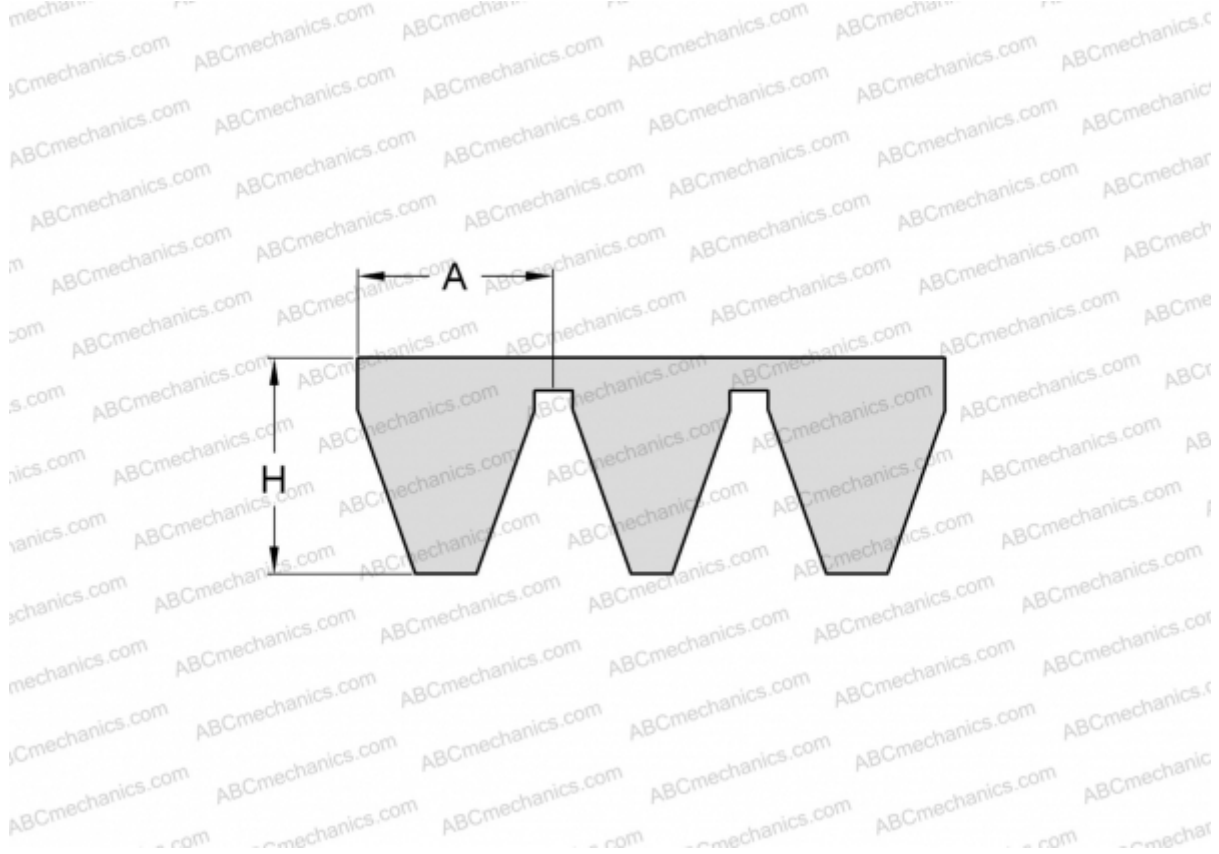


## PHG 8V2500X4 SKF

Banded narrow wedge belt

TYPE: V- belts, Banded belts, Narrow standart ANSI (USA), Section 8V/25J (SKF)



### Technical specification

#### DIMENSIONS, MM

|                  |          |
|------------------|----------|
| Estimated length | 6350,000 |
| Width, W         | 100,000  |
| Height, H        | 25,500   |
| A                | 25,000   |

#### MANUFACTURER

[SKF](#)