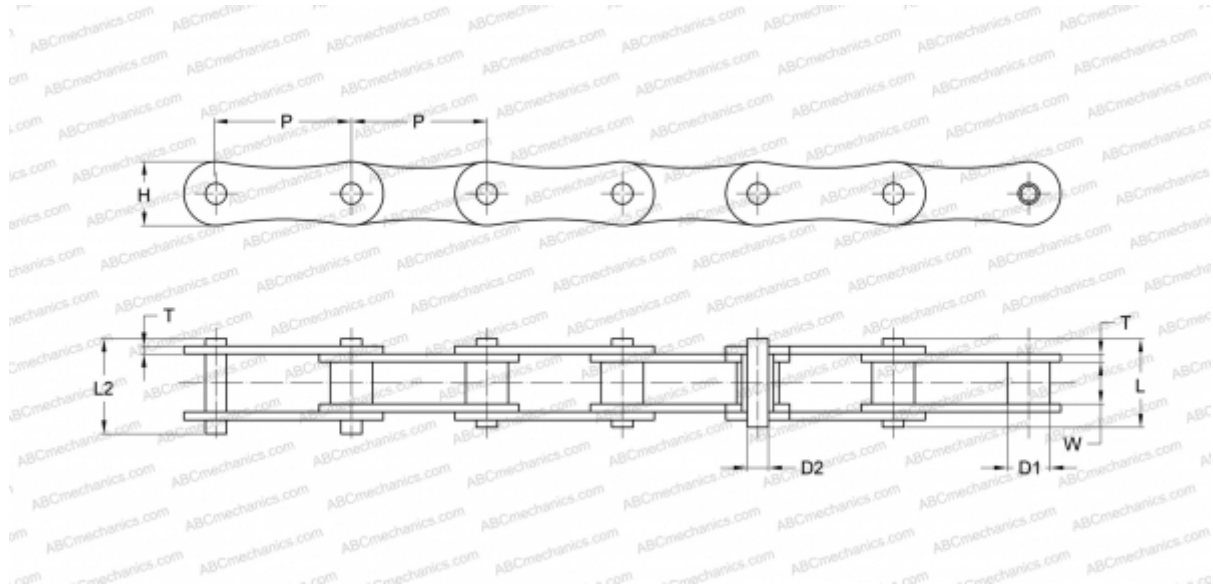


## PHC 232BX10FT SKF

Double Pitch Roller Chain

TYPE: Drive roller chain, Double pitch chain conveyor series, SKF



### Technical specification

#### DIMENSIONS, MM

P	101,600
D1	29,210
W	30,990
D2	17,810
H	42,000
T	6,000
L	16,600
L2	17,800

**WEIGHT, KG/M** 6,720

**MANUFACTURER** [SKF](#)

**DESIGNATION BS/ISO:** 232B