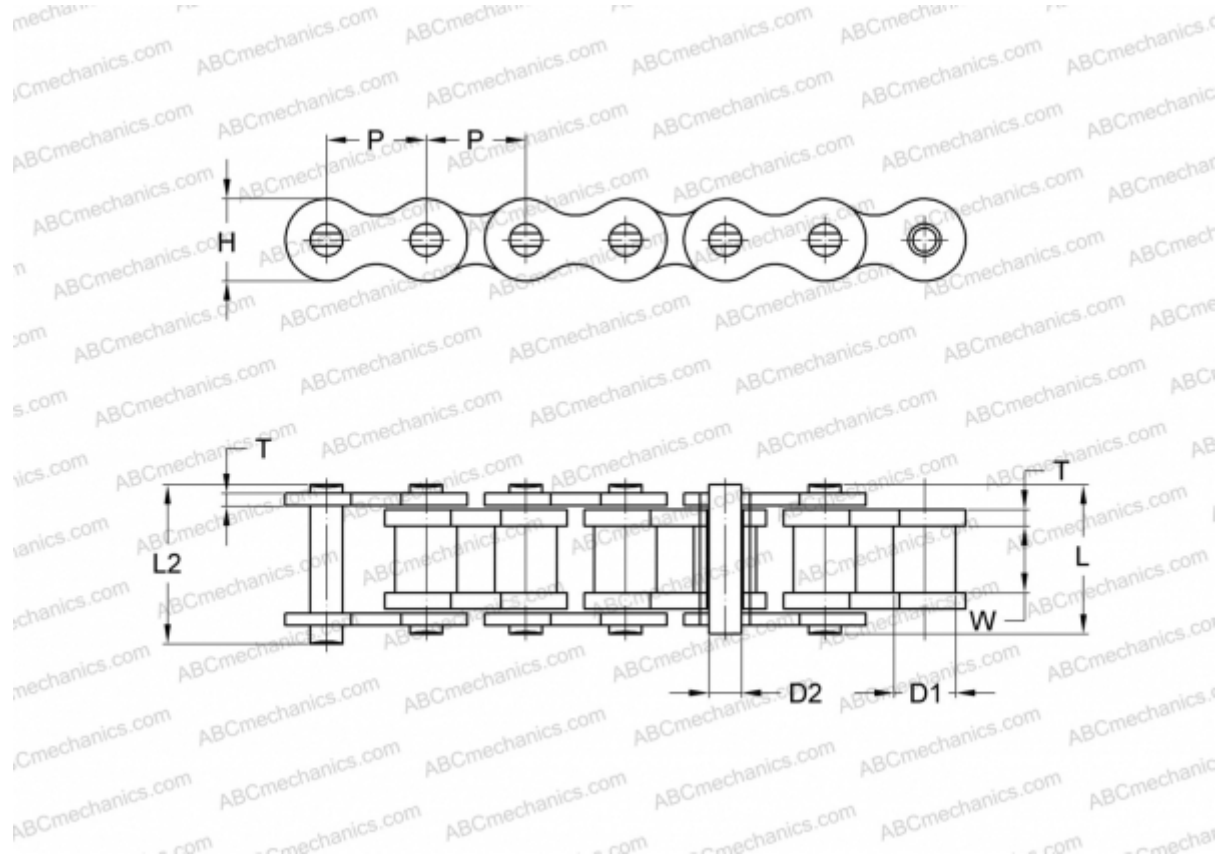


PHC 12B-1SLRX5M SKF

Xtra Performance SLR Chain

TYPE: Drive roller chain, Self lube, SKF



Technical specification

DIMENSIONS, MM

P	19,050
D1	12,070
W	11,680
D2	5,720
H	16,000
T	1,850
L	22,500
L2	24,200

WEIGHT, KG/M 1,150

MANUFACTURER [SKF](#)

DESIGNATION BS/ISO: 12B-1SLR