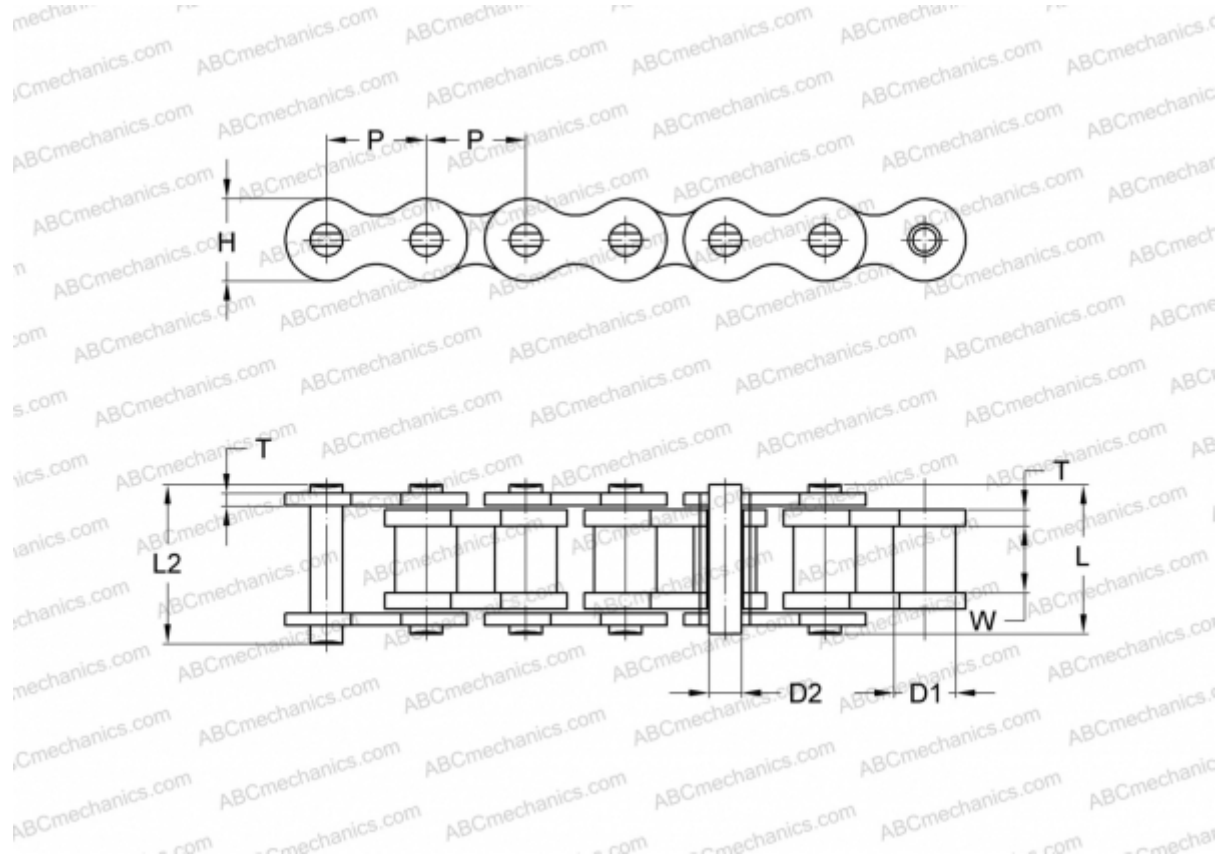


PHC 100-1SLRX5M SKF

Xtra Performance SLR Chain

TYPE: Drive roller chain, Self lube, SKF



Technical specification

DIMENSIONS, MM

P	31,750
D1	19,050
W	18,900
D2	9,530
H	30,000
T	4,000
L	40,400
L2	44,700

WEIGHT, KG/M 3,940

MANUFACTURER [SKF](#)

DESIGNATION BS/ISO: 100-1SLR