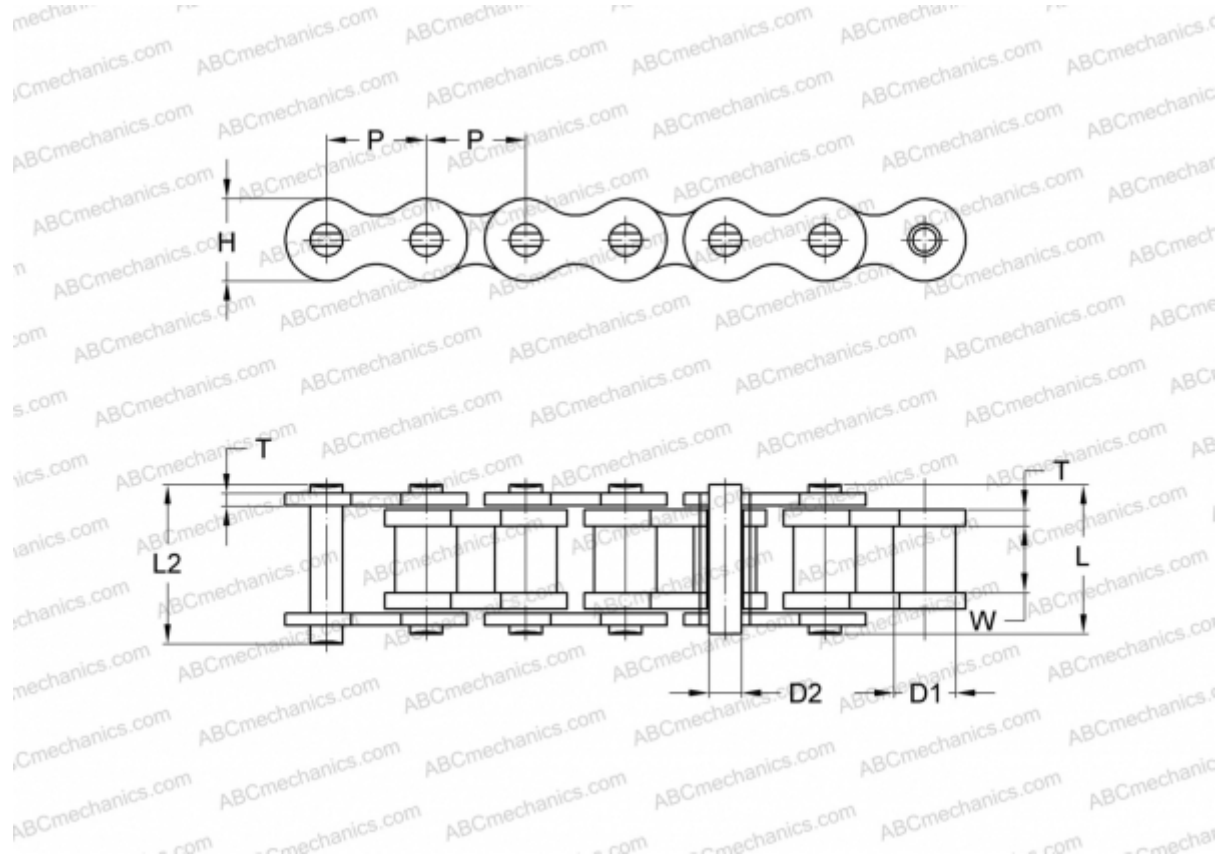


## PHC 08B-1SLRX10FT SKF

Xtra Performance SLR Chain

TYPE: Drive roller chain, Self lube, SKF



### Technical specification

#### DIMENSIONS, MM

P	12,700
D1	8,510
W	7,750
D2	4,450
H	11,800
T	1,600
L	16,700
L2	18,200

**WEIGHT, KG/M** 0,690

**MANUFACTURER** [SKF](#)

**DESIGNATION BS/ISO:** 08B-1SLR