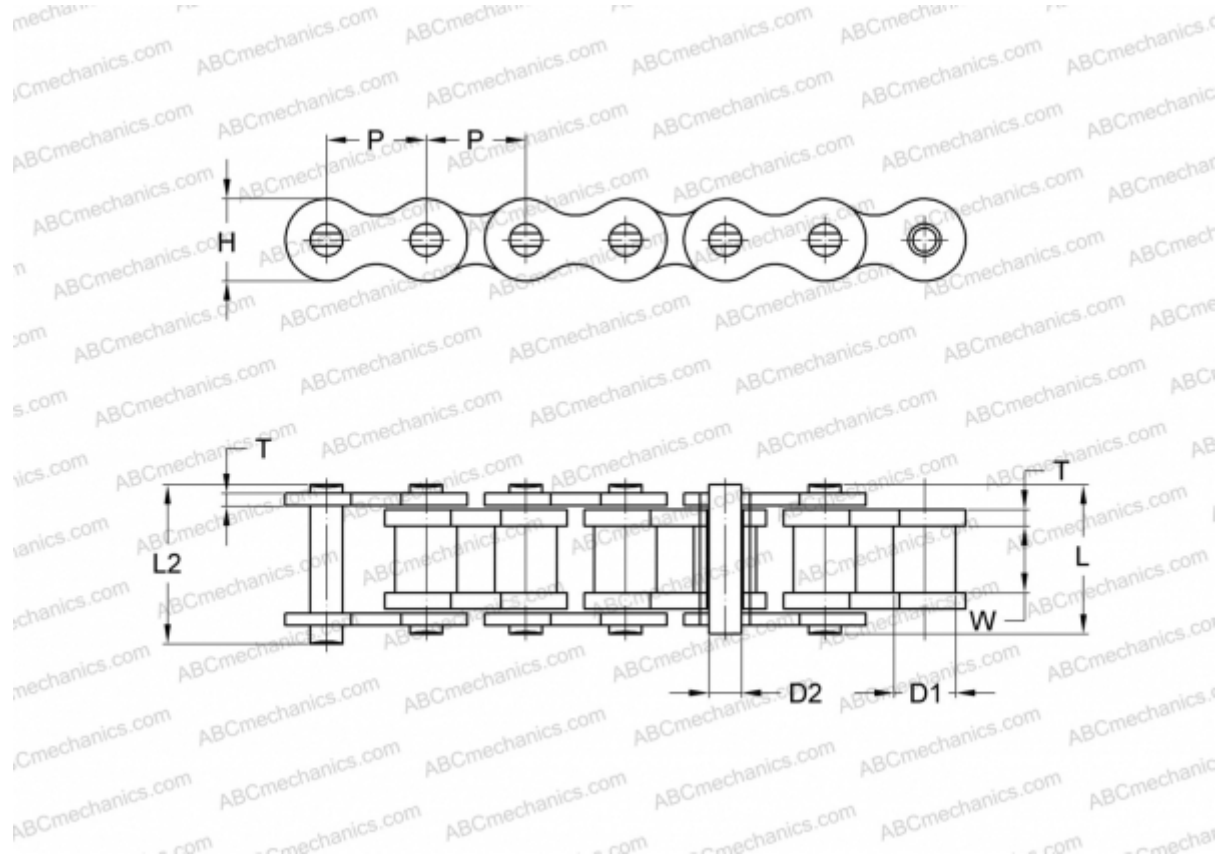


## PHC 80-1SLRX10FT SKF

Xtra Performance SLR Chain

TYPE: Drive roller chain, Self lube, SKF



### Technical specification

#### DIMENSIONS, MM

P	25,400
D1	15,880
W	15,750
D2	7,920
H	24,000
T	3,250
L	32,700
L2	35,000

**WEIGHT, KG/M** 2,600

**MANUFACTURER** [SKF](#)

**DESIGNATION BS/ISO:** 80-1SLR