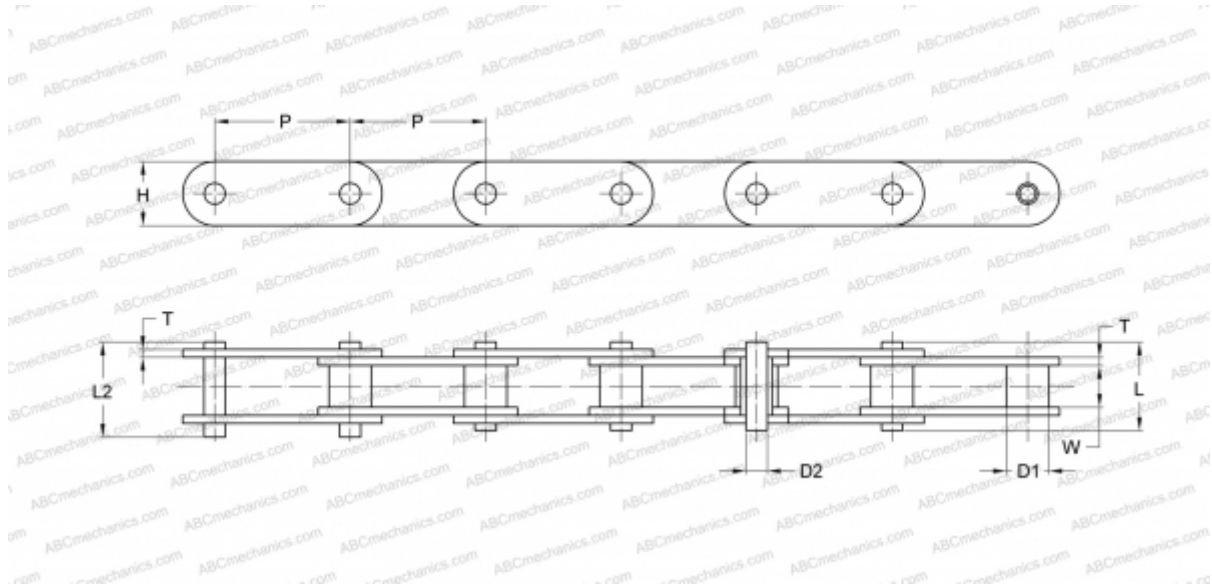


## PHC C2080X5M SKF

Double pitch conveyor chain

TYPE: Conveyor chain, Double pitch, roller (SKF)



### Technical specification

#### DIMENSIONS, MM

P	50,800
D1	15,880
W	15,750
D2	7,920
H	24,000
T	3,250
L	32,700
L2	36,500

**WEIGHT, KG/M** 2,080

**MANUFACTURER** [SKF](#)

**DESIGNATION BS/ISO:** C216A

**DESIGNATION ANSI:** C2080