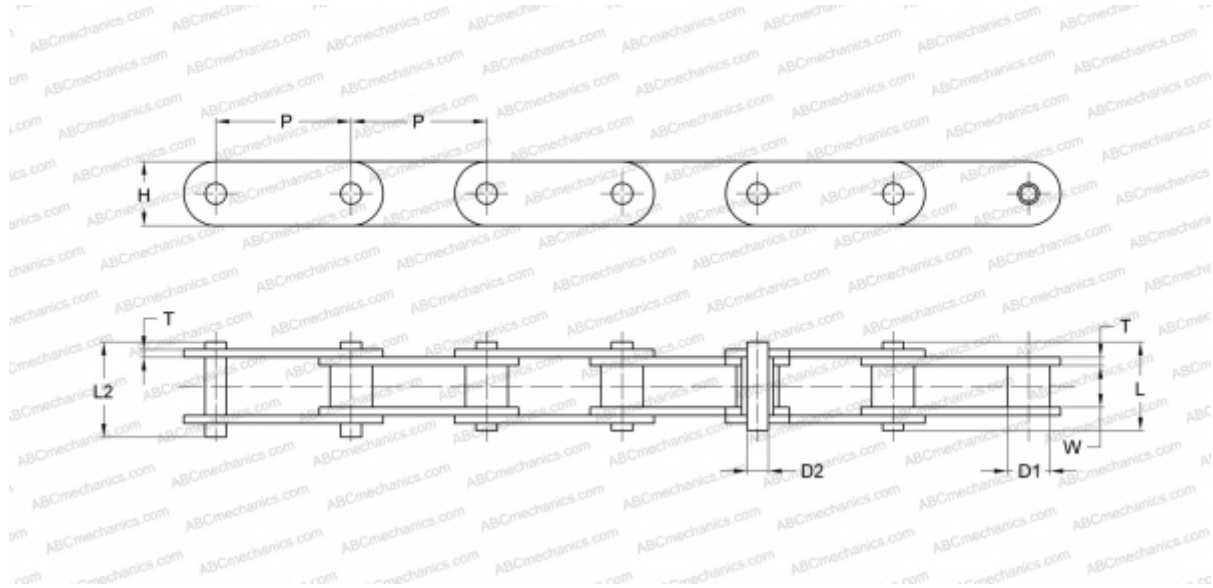


PHC C2080HX5M SKF

Double pitch conveyor chain

TYPE: Conveyor chain, Double pitch, roller (SKF)



Technical specification

DIMENSIONS, MM

P	50,800
D1	15,880
W	15,750
D2	7,920
H	24,000
T	4,000
L	36,200
L2	39,400

WEIGHT, KG/M 2,540

MANUFACTURER [SKF](#)

DESIGNATION BS/ISO: C216AH

DESIGNATION ANSI: C2080H