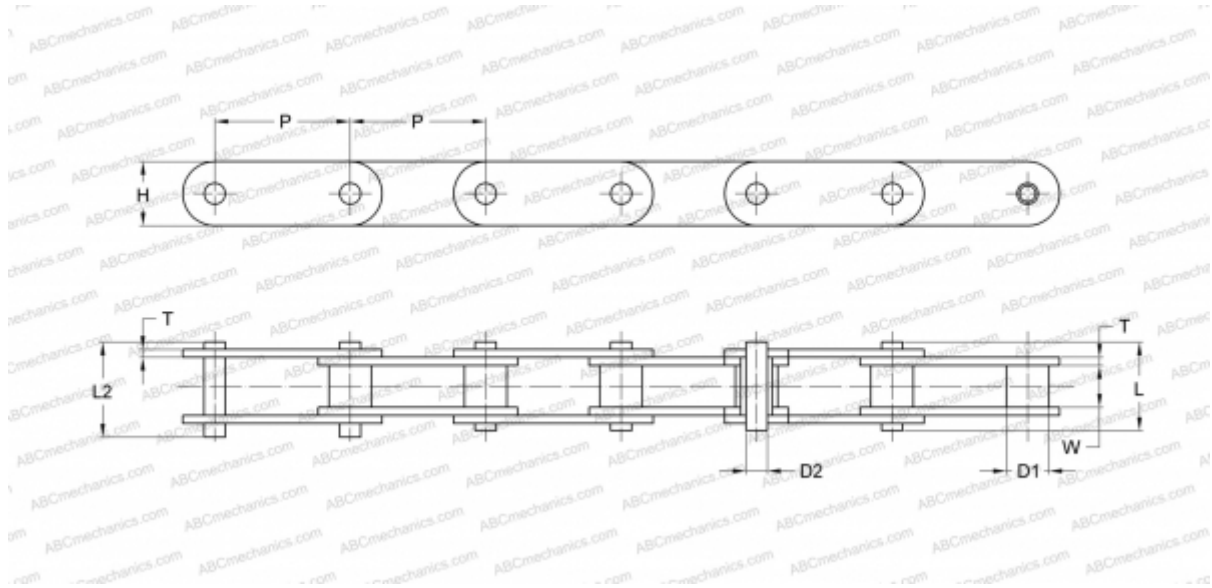


PHC C2160X5M SKF

Double pitch conveyor chain

TYPE: Conveyor chain, Double pitch, roller (SKF)



Technical specification

DIMENSIONS, MM

P	101,600
D1	28,580
W	31,750
D2	14,270
H	47,800
T	6,400
L	64,800
L2	69,600

WEIGHT, KG/M 8,150

MANUFACTURER [SKF](#)

DESIGNATION BS/ISO: C232A

DESIGNATION ANSI: C2160