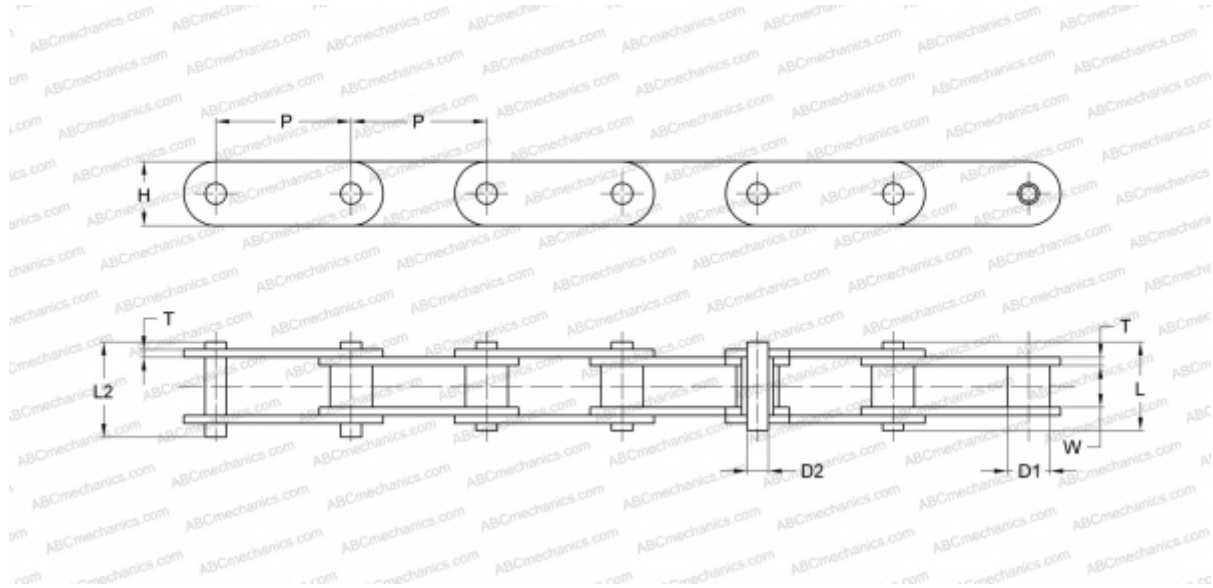


## PHC C2160HX5M SKF

Double pitch conveyor chain

TYPE: Conveyor chain, Double pitch, roller (SKF)



### Technical specification

#### DIMENSIONS, MM

P	101,600
D1	28,580
W	31,750
D2	14,270
H	47,800
T	7,200
L	68,200
L2	73,000

**WEIGHT, KG/M** 9,060

**MANUFACTURER** [SKF](#)

**DESIGNATION BS/ISO:** C232AH

**DESIGNATION ANSI:** C2160H