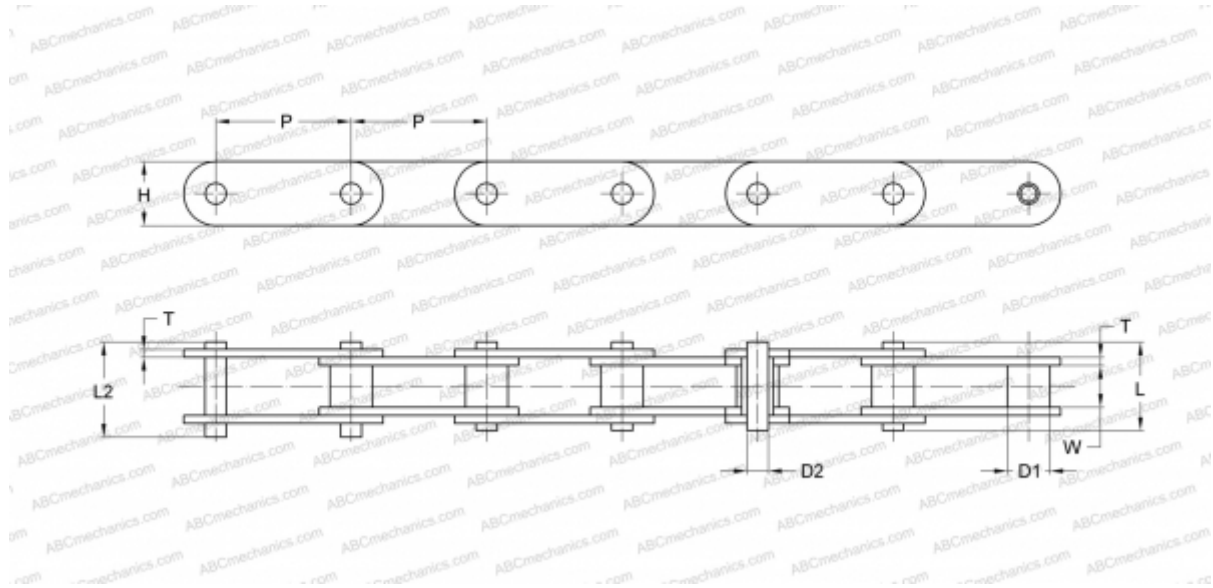


## PHC C2080X10FT SKF

Double pitch conveyor chain

TYPE: Conveyor chain, Double pitch, roller (SKF)



### Technical specification

#### DIMENSIONS, MM

|    |        |
|----|--------|
| P  | 50,800 |
| D1 | 15,880 |
| W  | 15,750 |
| D2 | 7,920  |
| H  | 24,000 |
| T  | 3,250  |
| L  | 32,700 |
| L2 | 36,500 |

**WEIGHT, KG/M** 2,080

**MANUFACTURER** [SKF](#)

**DESIGNATION BS/ISO:** C216A

**DESIGNATION ANSI:** C2080