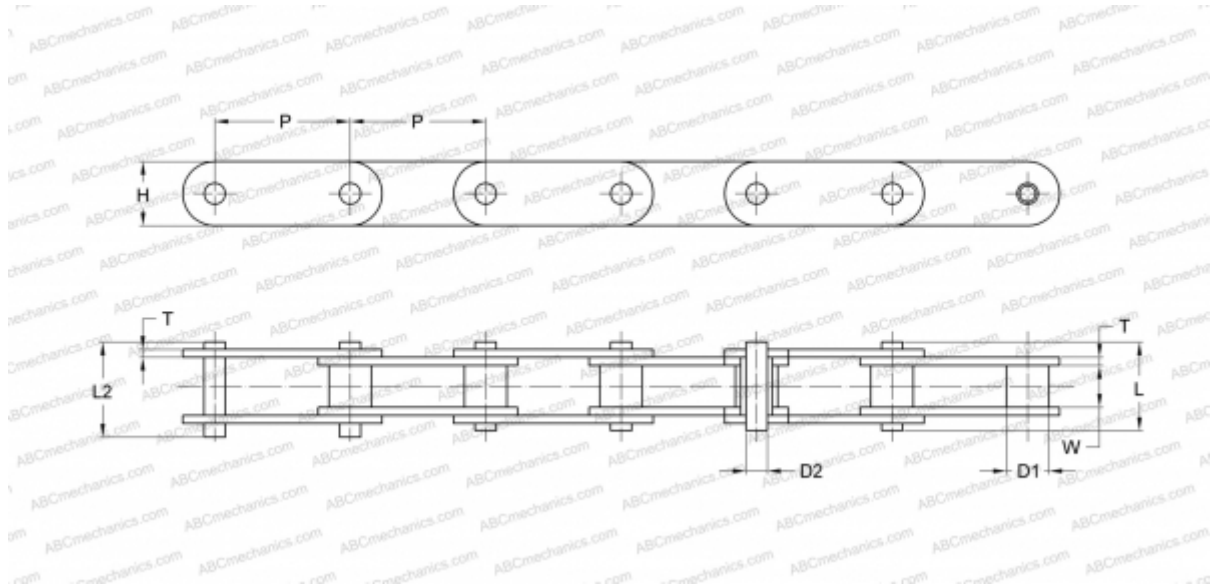


PHC C2120HX10FT SKF

Double pitch conveyor chain

TYPE: Conveyor chain, Double pitch, roller (SKF)



Technical specification

DIMENSIONS, MM

P	76,200
D1	22,230
W	25,220
D2	11,100
H	35,700
T	5,600
L	53,500
L2	57,500

WEIGHT, KG/M 5,260

MANUFACTURER [SKF](#)

DESIGNATION BS/ISO: C224AH

DESIGNATION ANSI: C2120H