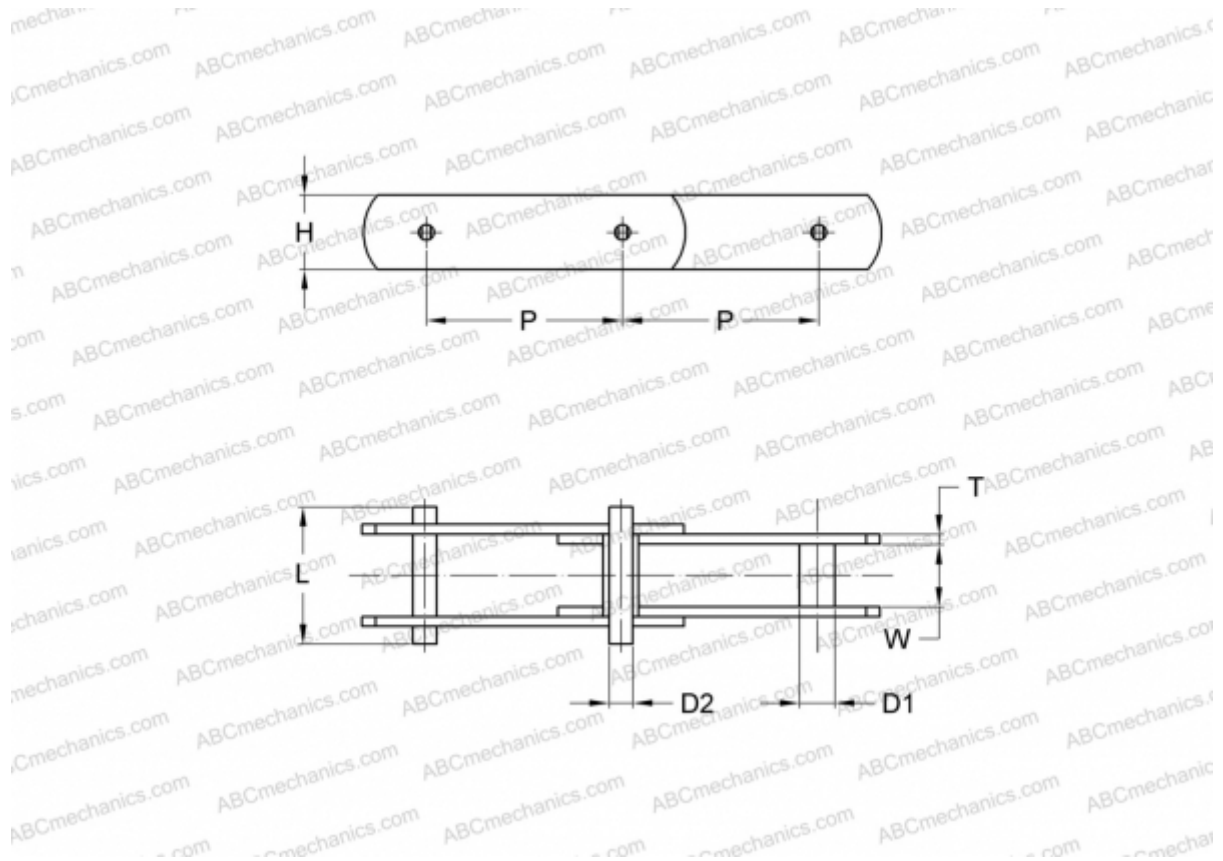


PHC M80A315X5M SKF

Conveyor chain

TYPE: Conveyor chain, Type M, with bush (SKF)



Technical specification

DIMENSIONS, MM

| | |
|----|---------|
| P | 315,000 |
| D1 | 18,000 |
| W | 28,000 |
| D2 | 12,000 |
| H | 36,000 |
| T | 5,000 |
| L | 62,000 |

MANUFACTURER [SKF](#)

DESIGNATION BS/ISO: M80A