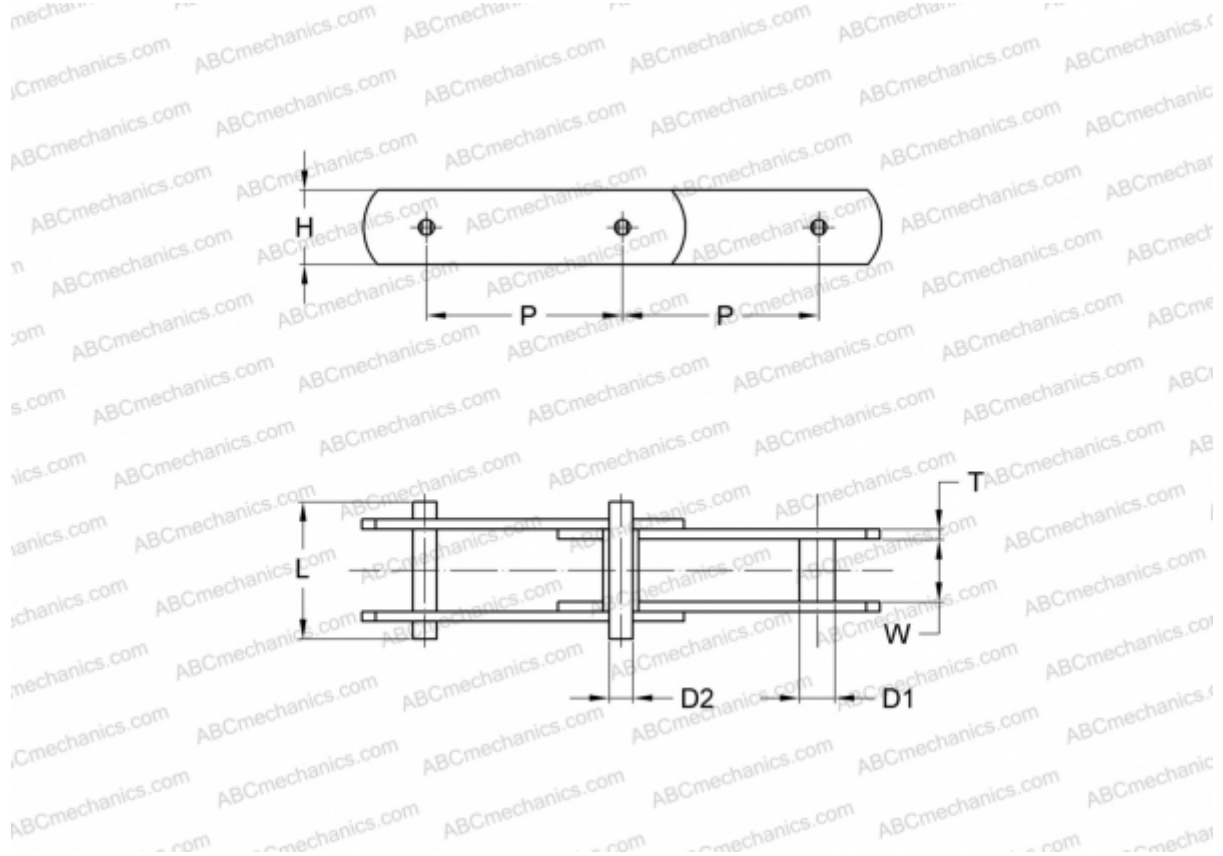


## PHC M160A125X5M SKF

Conveyor chain

TYPE: Conveyor chain, Type M, with bush (SKF)



### Technical specification

#### DIMENSIONS, MM

|    |         |
|----|---------|
| P  | 125,000 |
| D1 | 25,000  |
| W  | 37,000  |
| D2 | 18,000  |
| H  | 51,000  |
| T  | 7,000   |
| L  | 85,000  |

**MANUFACTURER** [SKF](#)

**DESIGNATION BS/ISO:** M160A