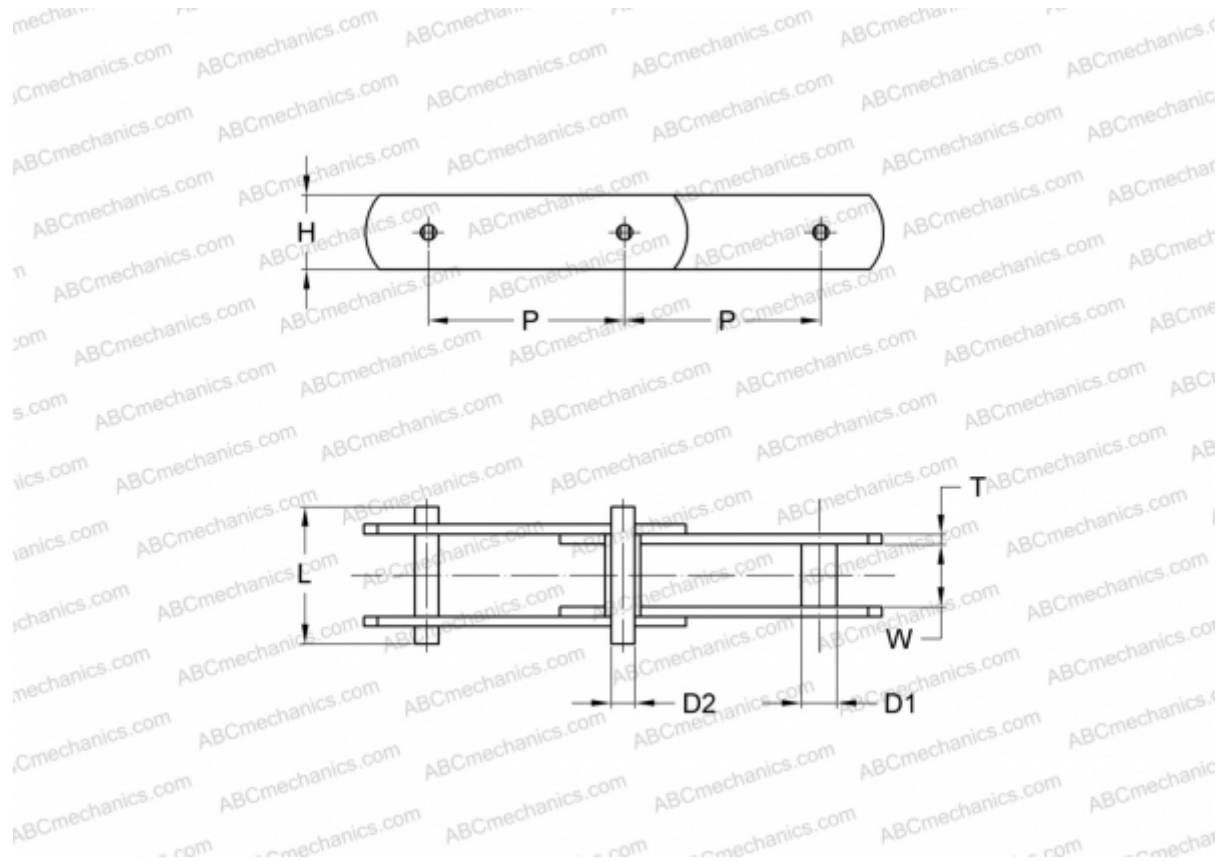


## PHC M315A250X5M SKF

Conveyor chain

TYPE: Conveyor chain, Type M, with bush (SKF)



### Technical specification

#### DIMENSIONS, MM

P	250,000
D1	36,000
W	48,000
D2	25,000
H	72,000
T	10,000
L	112,000

**MANUFACTURER** [SKF](#)

**DESIGNATION BS/ISO:** M315A