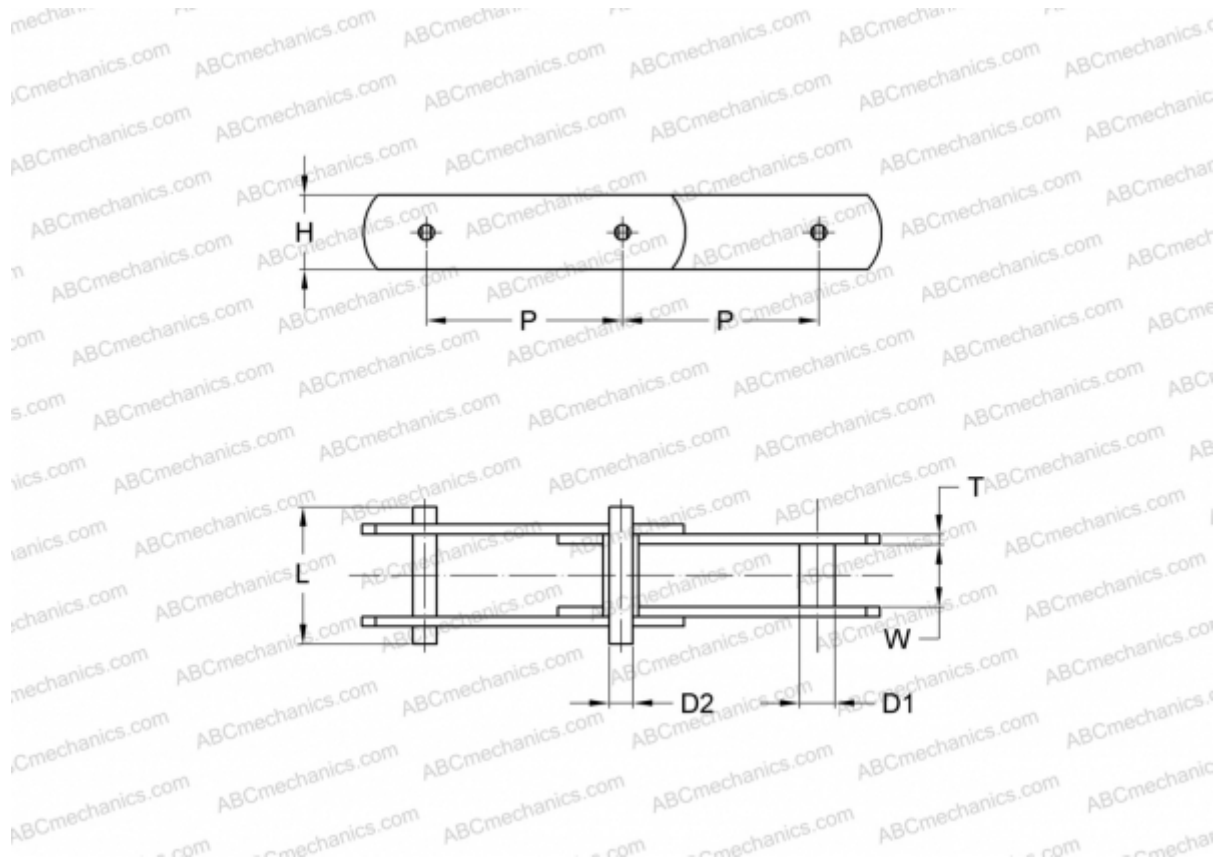


PHC M160A400X10FT SKF

Conveyor chain

TYPE: Conveyor chain, Type M, with bush (SKF)



Technical specification

DIMENSIONS, MM

| | |
|----|---------|
| P | 400,000 |
| D1 | 25,000 |
| W | 37,000 |
| D2 | 18,000 |
| H | 51,000 |
| T | 7,000 |
| L | 85,000 |

MANUFACTURER [SKF](#)

DESIGNATION BS/ISO: M160A