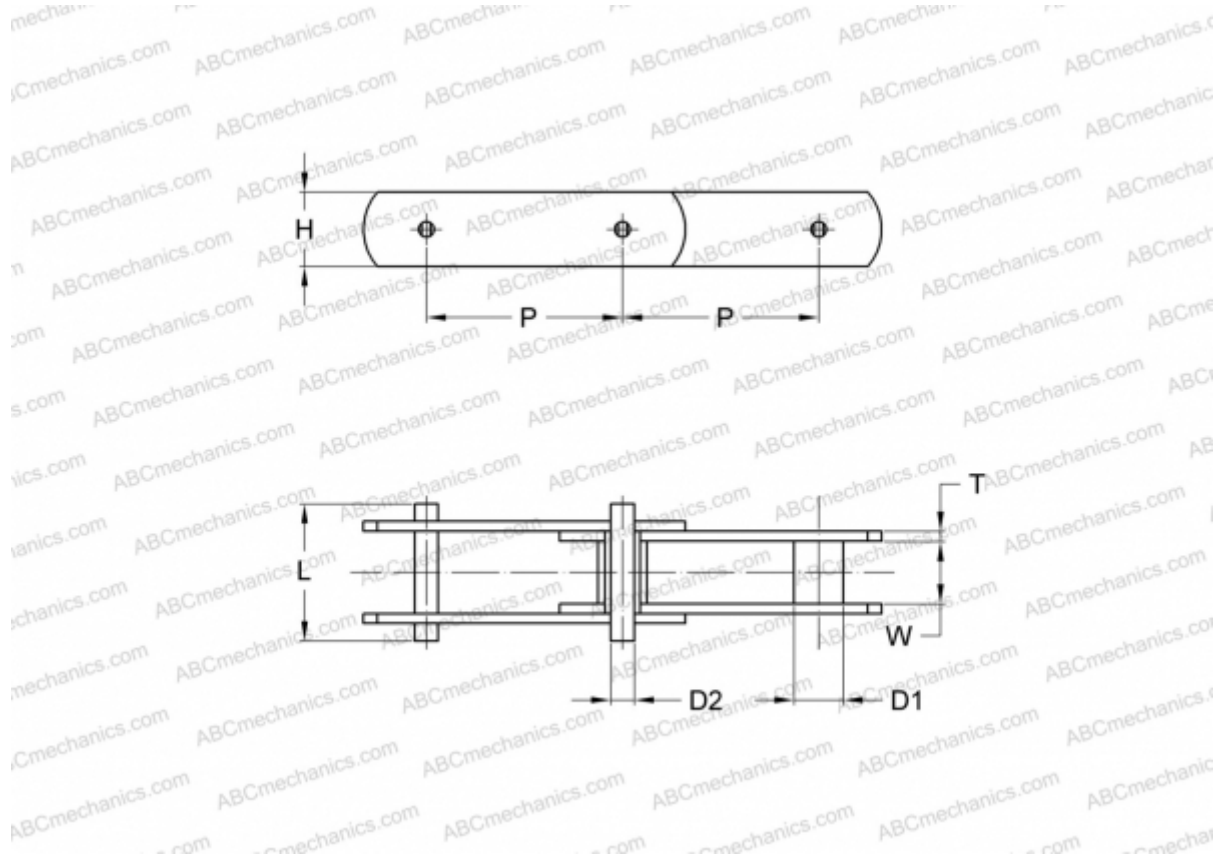


## PHC M20S125X5M SKF

Conveyor chain

TYPE: Conveyor chain, Type M, roller (SKF)



### Technical specification

#### DIMENSIONS, MM

|    |         |
|----|---------|
| P  | 125,000 |
| D1 | 9,000   |
| W  | 16,000  |
| D2 | 6,000   |
| H  | 19,000  |
| T  | 2,500   |
| L  | 35,000  |

**MANUFACTURER** [SKF](#)

**DESIGNATION BS/ISO:** M20S