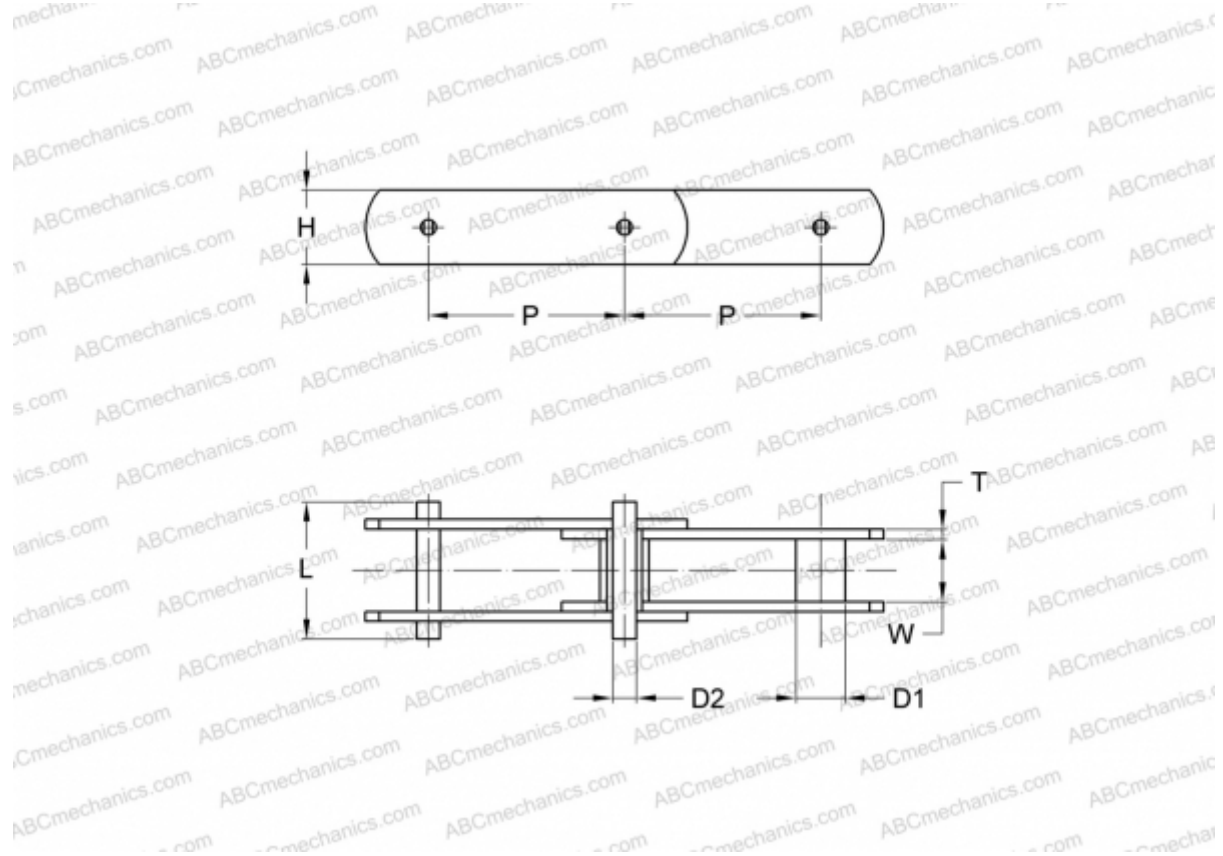


PHC M315S400X10FT SKF

Conveyor chain

TYPE: Conveyor chain, Type M, roller (SKF)



Technical specification

DIMENSIONS, MM

| | |
|----|---------|
| P | 400,000 |
| D1 | 36,000 |
| W | 48,000 |
| D2 | 25,000 |
| H | 72,000 |
| T | 10,000 |
| L | 112,000 |

MANUFACTURER [SKF](#)

DESIGNATION BS/ISO: M315S