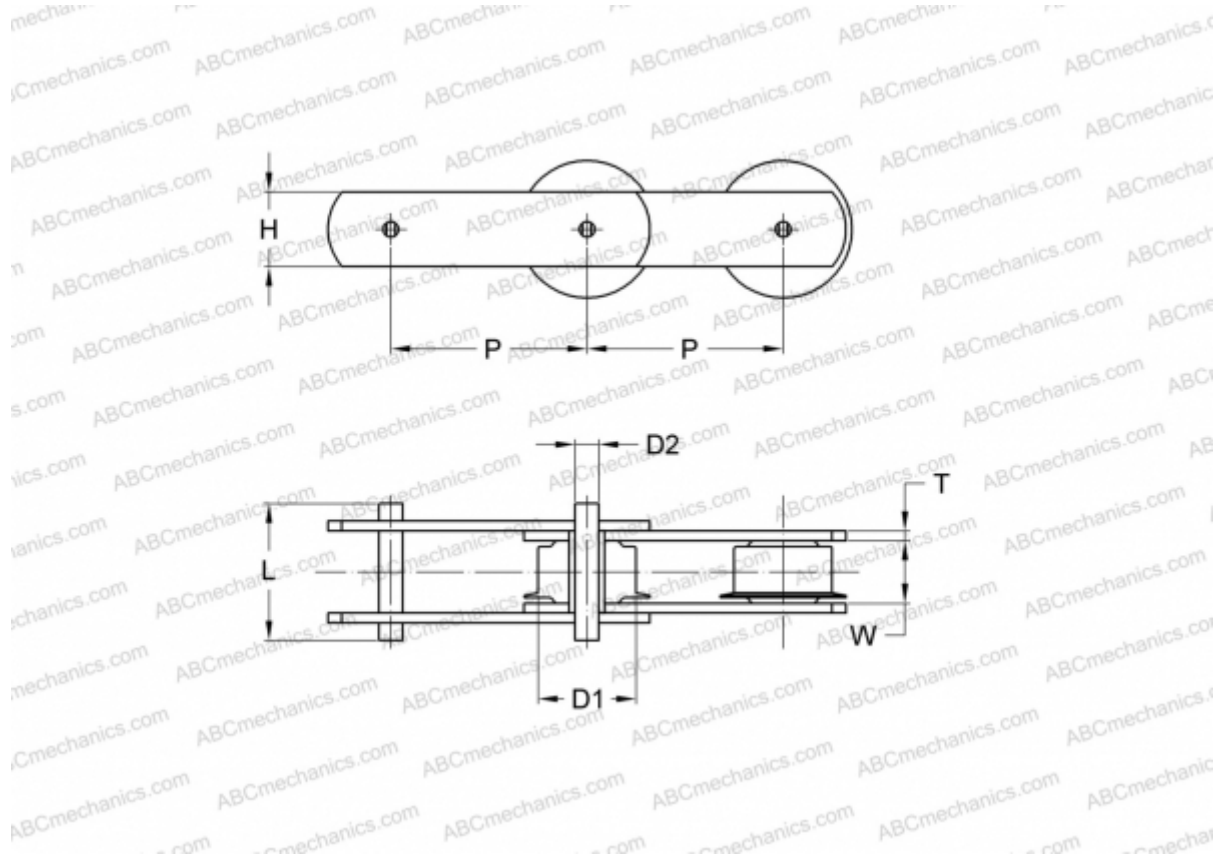


## PHC M80F100X5M SKF

Conveyor chain

TYPE: Conveyor chain, Type M, flanged roller (SKF)



### Technical specification

#### DIMENSIONS, MM

|    |         |
|----|---------|
| P  | 100,000 |
| D1 | 18,000  |
| W  | 28,000  |
| D2 | 12,000  |
| H  | 36,000  |
| T  | 5,000   |
| L  | 62,000  |

**MANUFACTURER** [SKF](#)

**DESIGNATION BS/ISO:** M80F