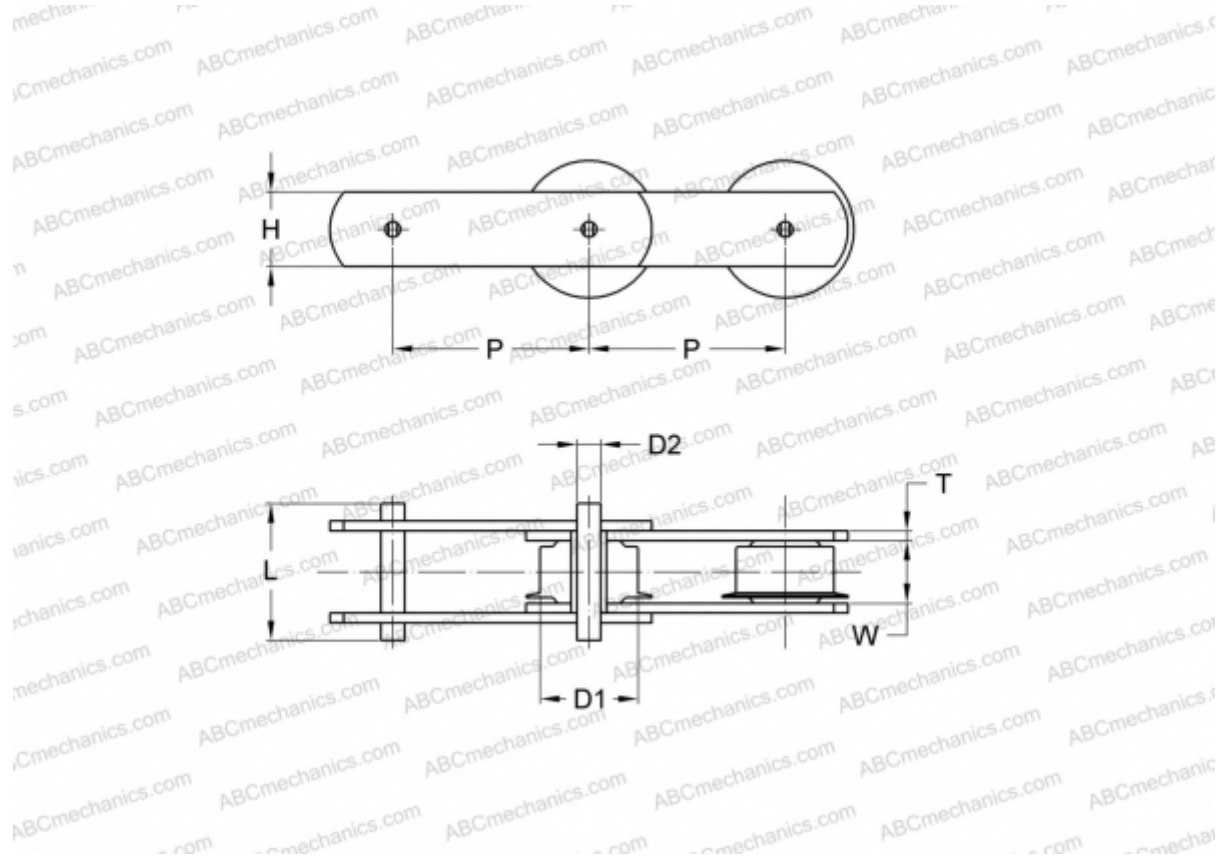


## PHC M56F125X10FT SKF

Conveyor chain

TYPE: Conveyor chain, Type M, flanged roller (SKF)



### Technical specification

#### DIMENSIONS, MM

|    |         |
|----|---------|
| P  | 125,000 |
| D1 | 15,000  |
| W  | 24,000  |
| D2 | 10,000  |
| H  | 31,000  |
| T  | 4,000   |
| L  | 52,000  |

**MANUFACTURER** [SKF](#)

**DESIGNATION BS/ISO:** M56F