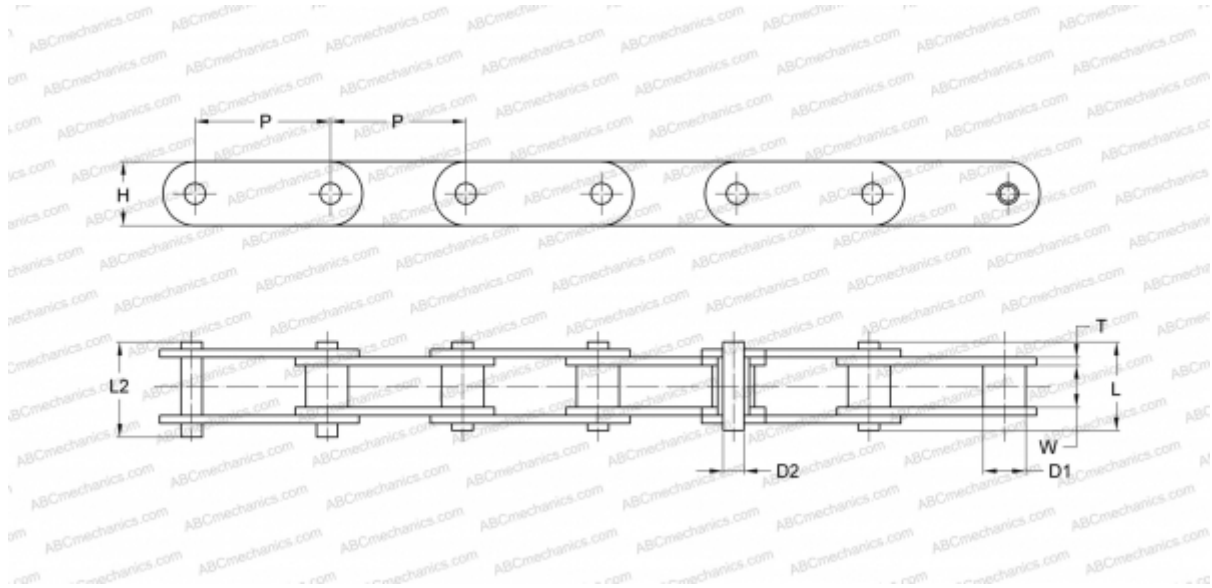


## PHC 81XX5M SKF

Conveyor chain

TYPE: Conveyor chains for special use, Lumber mill series, SKF



### Technical specification

#### DIMENSIONS, MM

P	66,270
D1	23,000
W	27,000
D2	11,100
H	28,500
T	4,000
L	49,000
L2	53,500

**WEIGHT, KG/M** 3,780

**MANUFACTURER** [SKF](#)

**DESIGNATION BS/ISO:** 81X