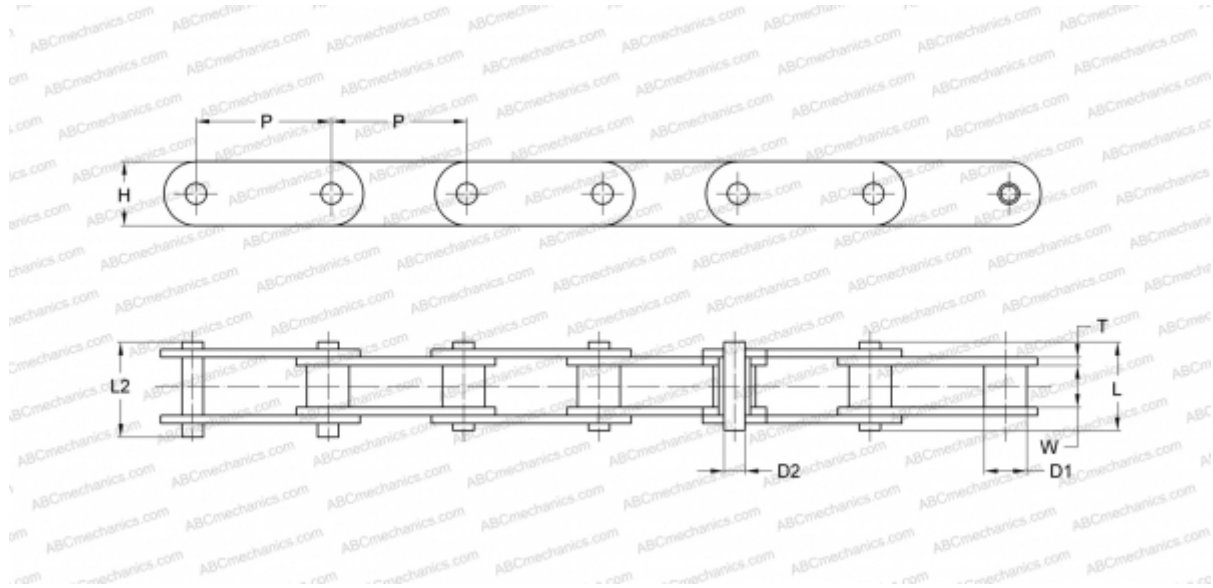


PHC 81XH5M SKF

Conveyor chain

TYPE: Conveyor chains for special use, Lumber mill series, SKF



Technical specification

DIMENSIONS, MM

| | |
|----|--------|
| P | 66,270 |
| D1 | 23,000 |
| W | 27,780 |
| D2 | 11,100 |
| H | 31,350 |
| T | 5,550 |
| L | 60,700 |
| L2 | 65,100 |

WEIGHT, KG/M 5,880

MANUFACTURER [SKF](#)

DESIGNATION BS/ISO: 81XH