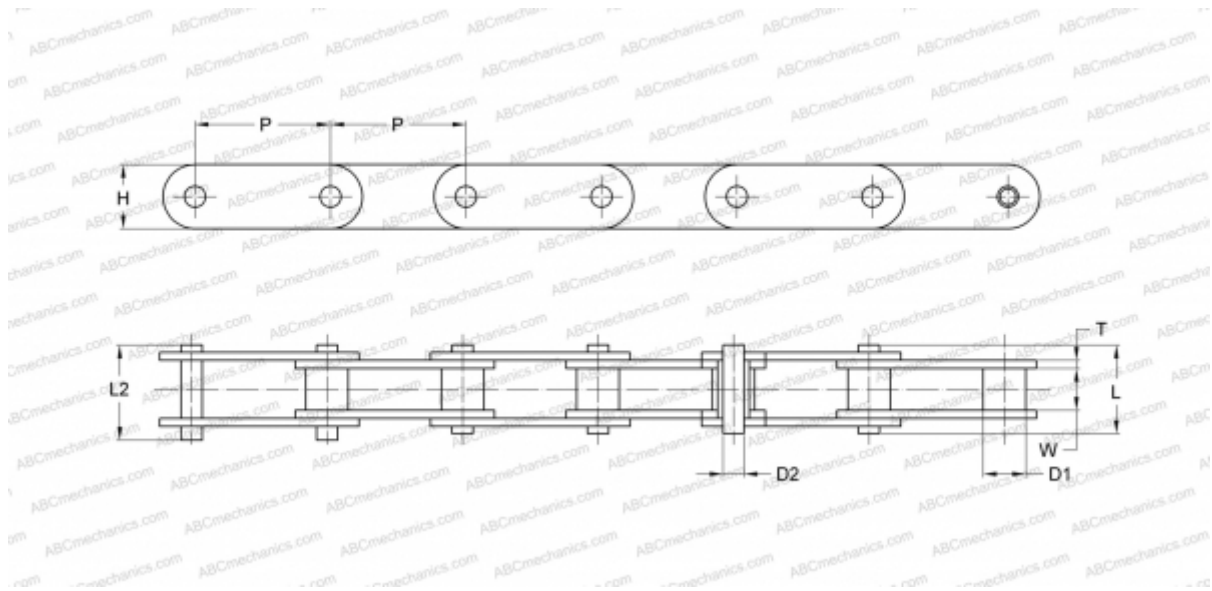


## PHC 81XHSX5M SKF

Conveyor chain

TYPE: Conveyor chains for special use, Lumber mill series, SKF



### Technical specification

#### DIMENSIONS, MM

P	66,270
D1	23,000
W	27,000
D2	11,100
H	31,800
T	7,600
L	63,600
L2	68,000

**WEIGHT, KG/M** 6,550

**MANUFACTURER** [SKF](#)

**DESIGNATION BS/ISO:** 81XHS