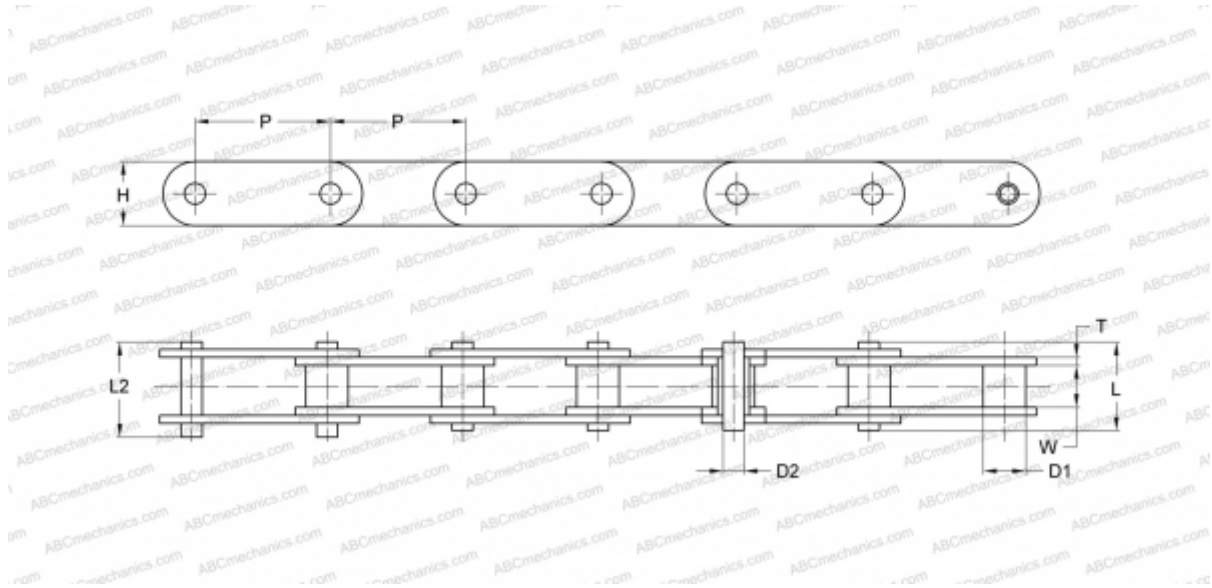


PHC 81XX10FT SKF

Conveyor chain

TYPE: Conveyor chains for special use, Lumber mill series, SKF



Technical specification

DIMENSIONS, MM

P	66,270
D1	23,000
W	27,000
D2	11,100
H	28,500
T	4,000
L	49,000
L2	53,500

WEIGHT, KG/M 3,780

MANUFACTURER [SKF](#)

DESIGNATION BS/ISO: 81X