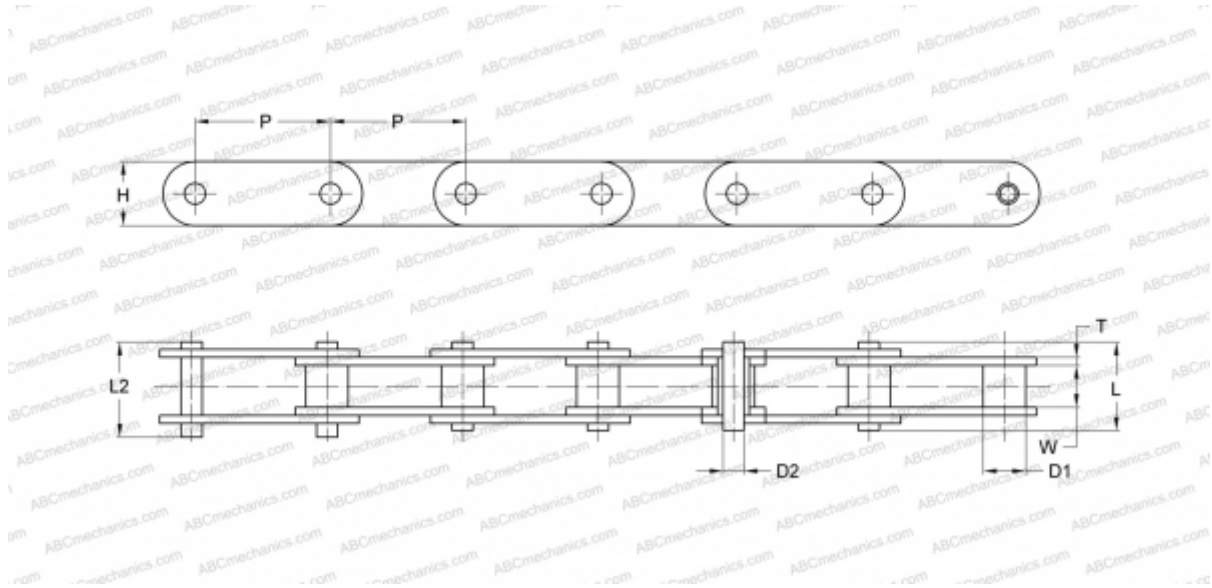


PHC 81XH10FT SKF

Conveyor chain

TYPE: Conveyor chains for special use, Lumber mill series, SKF



Technical specification

DIMENSIONS, MM

P	66,270
D1	23,000
W	27,780
D2	11,100
H	31,350
T	5,550
L	60,700
L2	65,100

WEIGHT, KG/M 5,880

MANUFACTURER [SKF](#)

DESIGNATION BS/ISO: 81XH