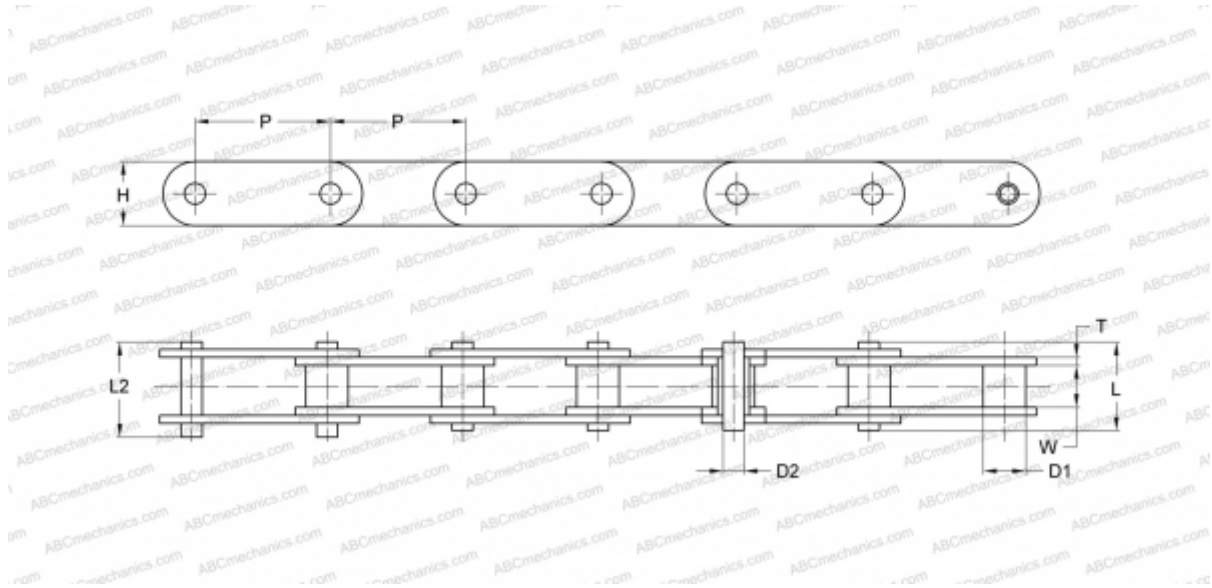


PHC 500RX10FT SKF

Conveyor chain

TYPE: Conveyor chains for special use, Lumber mill series, SKF



Technical specification

DIMENSIONS, MM

P	50,000
D1	25,400
W	25,400
D2	14,630
H	40,000
T	5,000
L	52,000
L2	56,400

WEIGHT, KG/M 7,130

MANUFACTURER [SKF](#)

DESIGNATION BS/ISO: 500R