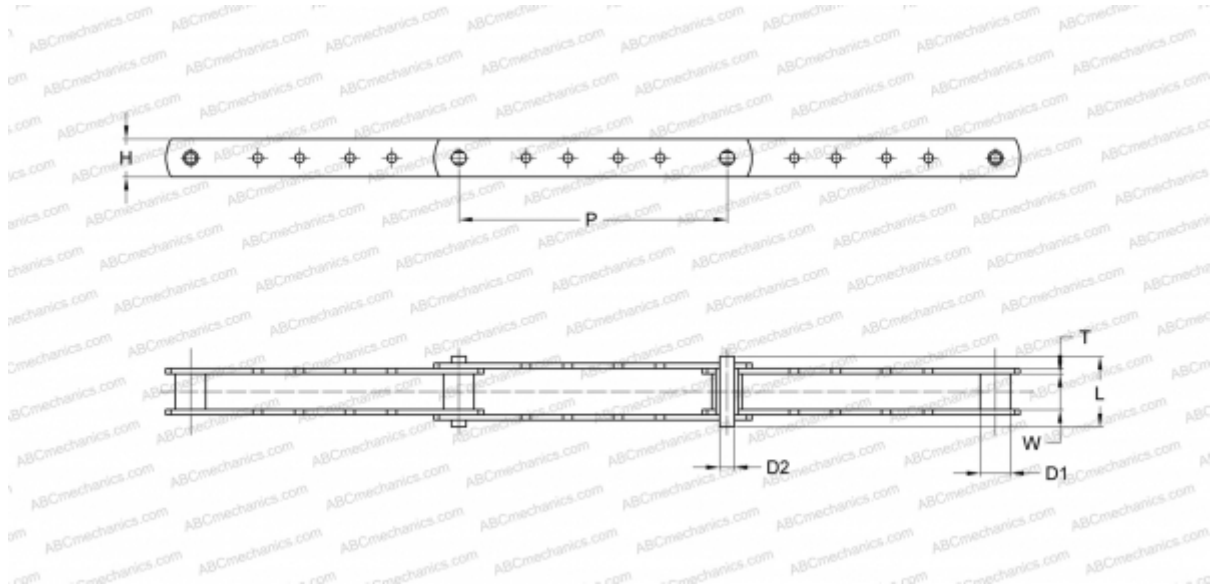


PHC 3939-B44X10FT SKF

Conveyor chain

TYPE: Conveyor chains for special use, Lumber mill series, Series 3939 (SKF)



Technical specification

DIMENSIONS, MM

| | |
|----|---------|
| P | 203,200 |
| D1 | 23,000 |
| W | 27,000 |
| D2 | 11,100 |
| H | 28,580 |
| T | 4,000 |
| L | 49,000 |

WEIGHT, KG/M 2,450

MANUFACTURER [SKF](#)

DESIGNATION BS/ISO: 3939-B44