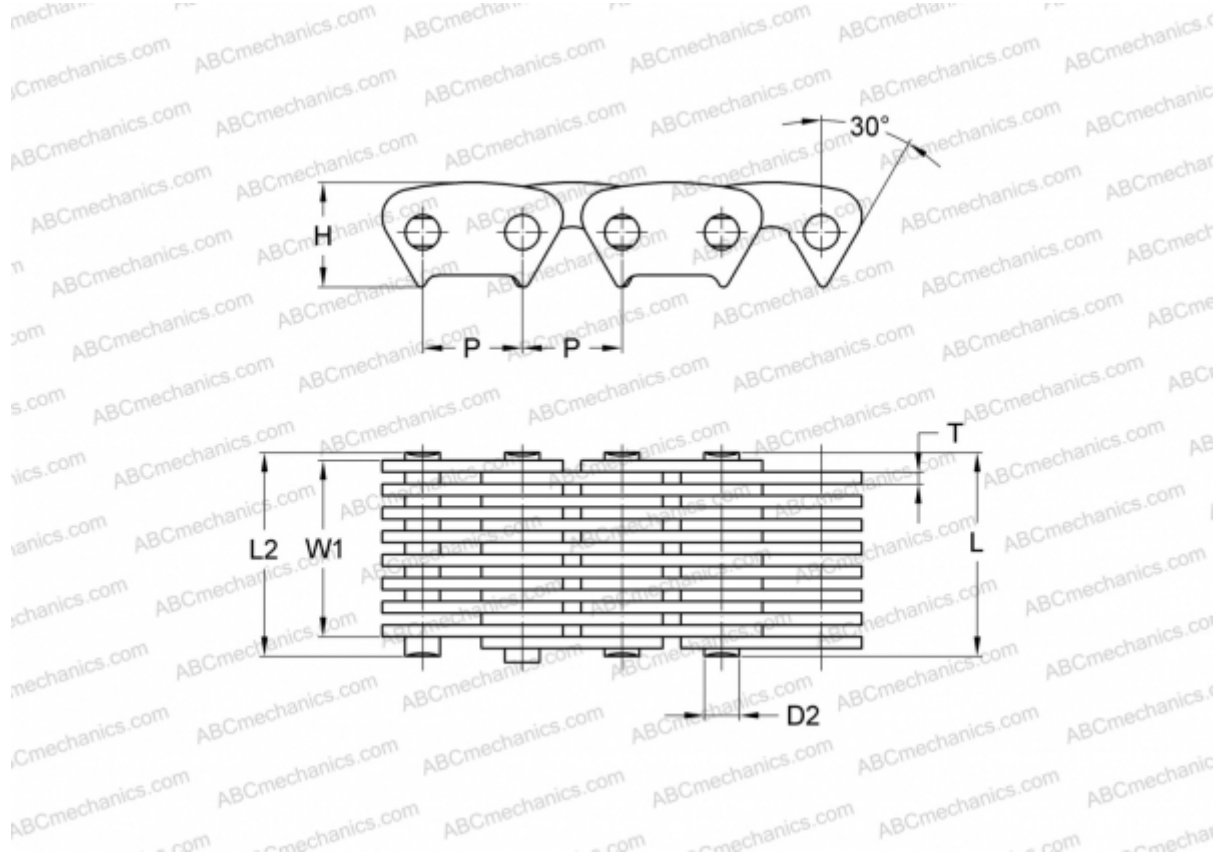


## PHC CL06-16.5X5M SKF

Silent Chain

TYPE: Silent chains, With the contact on the side of sprocket's tooth (SKF)



### Technical specification

#### DIMENSIONS, MM

P	9,530
D2	3,950
H	10,000
T	1,500
L	21,500
L2	23,000
W1	16,500

**WEIGHT, KG/M** 0,730

**MANUFACTURER** [SKF](#)

**DESIGNATION BS/ISO:** CL06-16.5