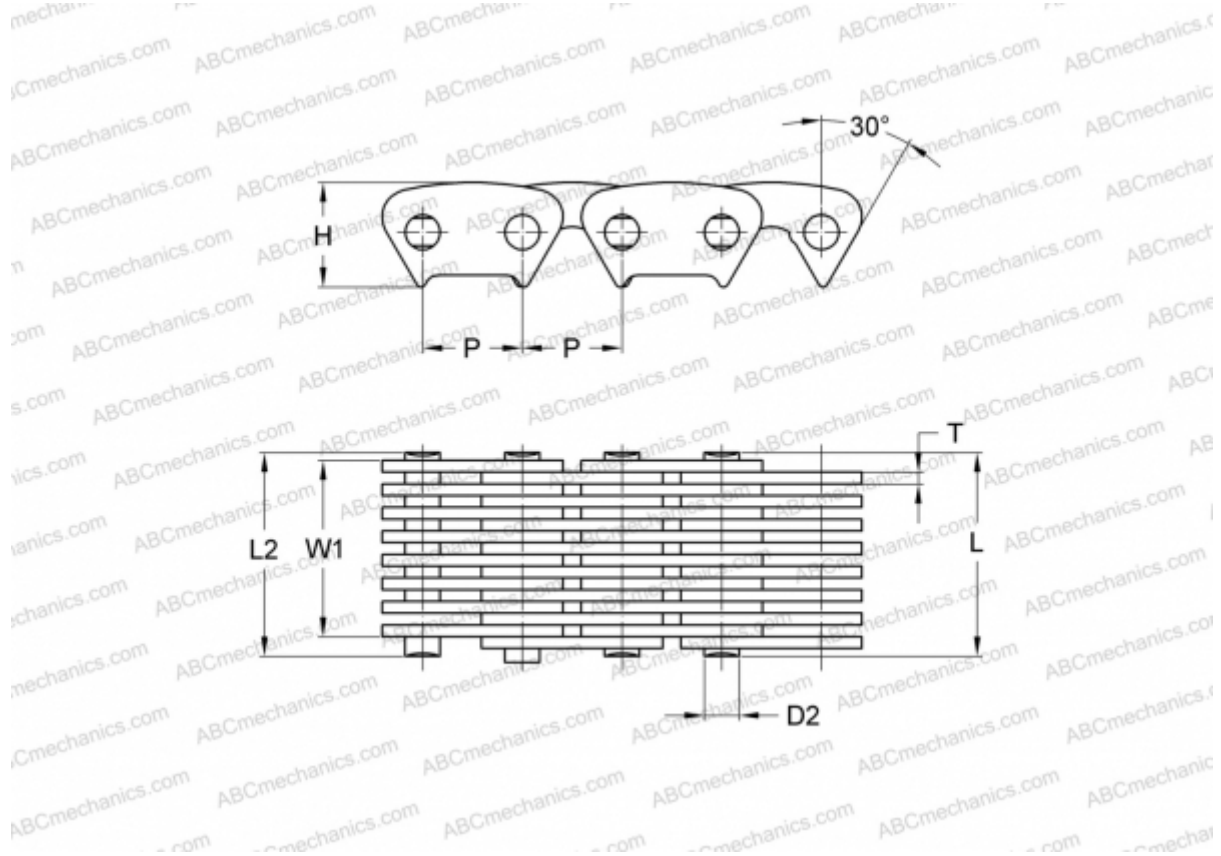


PHC CL12-54.0X5M SKF

Silent Chain

TYPE: Silent chains, With the contact on the side of sprocket's tooth (SKF)



Technical specification

DIMENSIONS, MM

P	19,050
D2	6,900
H	20,000
T	2,000
L	61,000
L2	62,800
W1	54,000

WEIGHT, KG/M 4,780

MANUFACTURER [SKF](#)

DESIGNATION BS/ISO: CL12-54.0