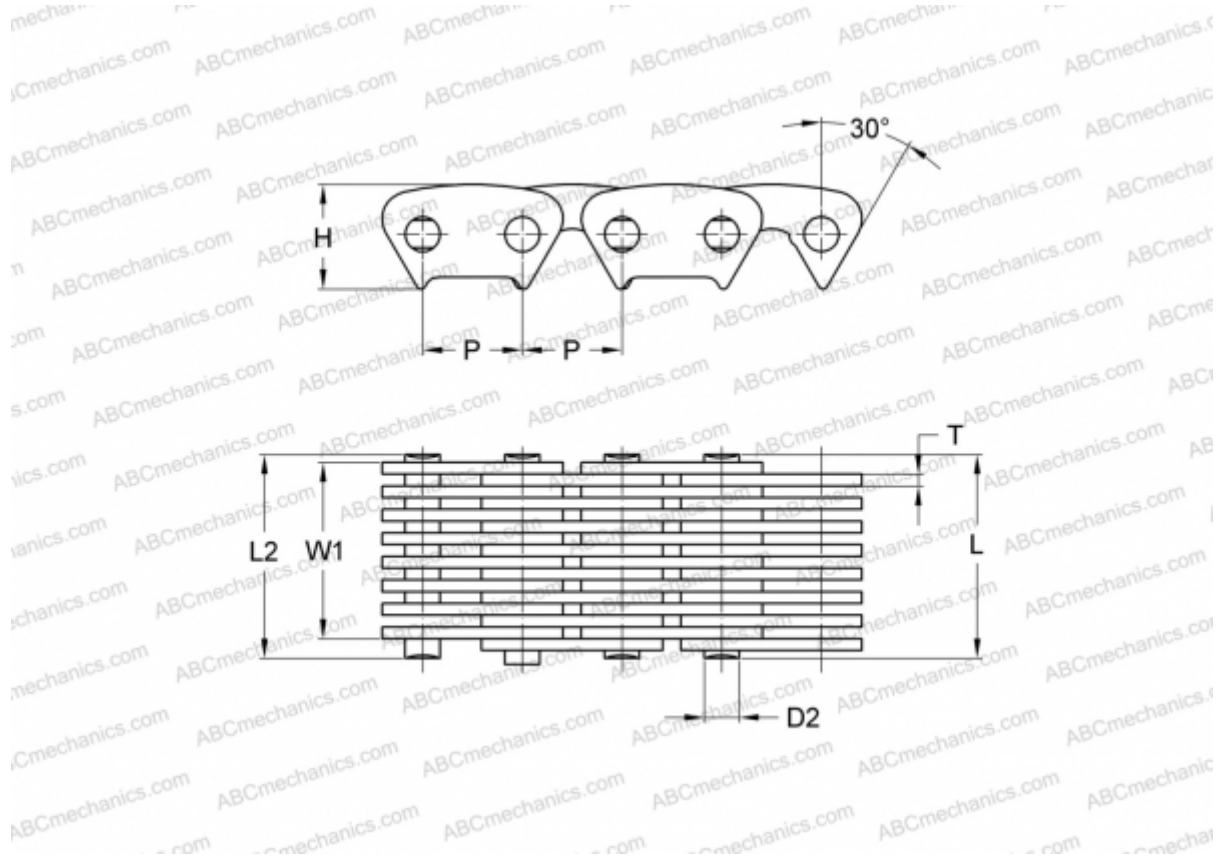


## PHC CL08-25.5X10FT SKF

Silent Chain

TYPE: Silent chains, With the contact on the side of sprocket's tooth (SKF)



### Technical specification

#### DIMENSIONS, MM

P	12,700
D2	5,080
H	13,400
T	1,500
L	30,500
L2	32,000
W1	25,500

**WEIGHT, KG/M** 1,500

**MANUFACTURER** [SKF](#)

**DESIGNATION BS/ISO:** CL08-25.5