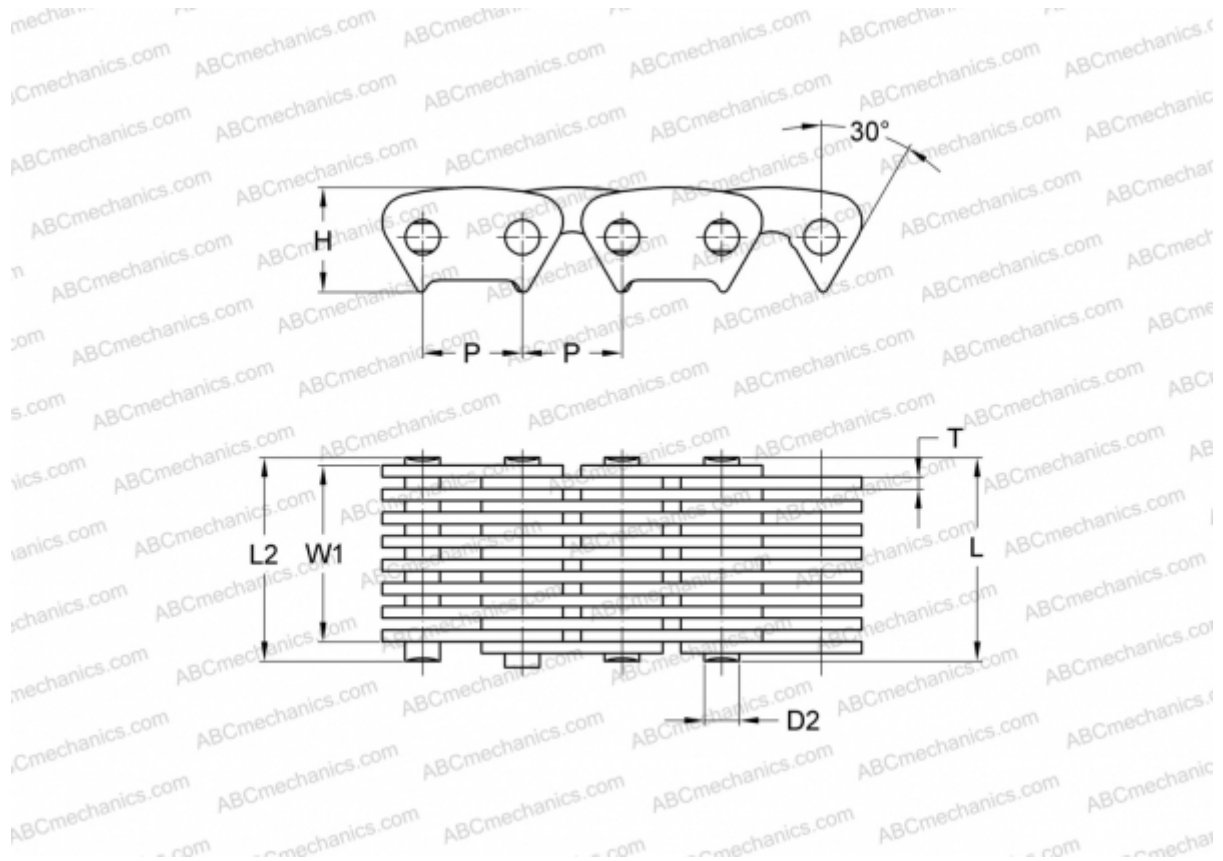


PHC CL10-62.0X10FT SKF

Silent Chain

TYPE: Silent chains, With the contact on the side of sprocket's tooth (SKF)



Technical specification

DIMENSIONS, MM

P	15,880
D2	5,920
H	16,700
T	2,000
L	69,000
L2	70,400
W1	62,000

WEIGHT, KG/M 4,580

MANUFACTURER [SKF](#)

DESIGNATION BS/ISO: CL10-62.0