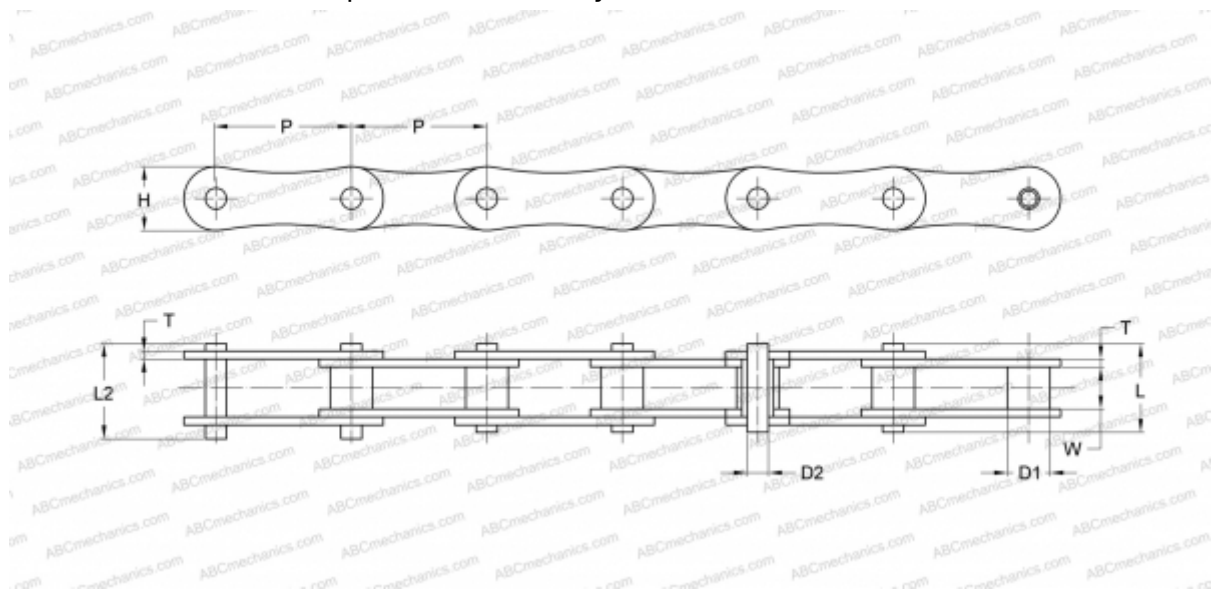


PHC 2060X5M SKF

Double Pitch Roller Chain

TYPE: Drive roller chain, Double pitch chain conveyor series, SKF



Technical specification

DIMENSIONS, MM

P	38,100
D1	11,910
W	12,570
D2	5,940
H	18,000
T	2,420
L	16,600
L2	17,800

WEIGHT, KG/M 1,020

MANUFACTURER [SKF](#)

DESIGNATION BS/ISO: 212A

DESIGNATION ANSI: 2060