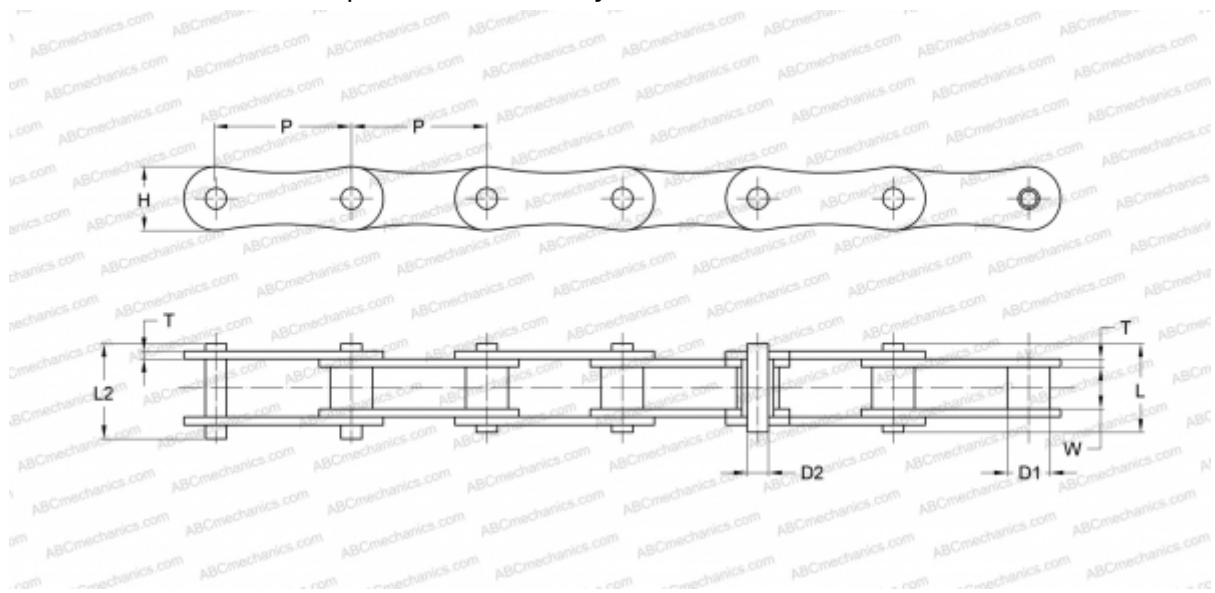


PHC 224BX5M SKF

Double Pitch Roller Chain

TYPE: Drive roller chain, Double pitch chain conveyor series, SKF



Technical specification

DIMENSIONS, MM

P	76,200
D1	25,400
W	25,400
D2	14,630
H	33,200
T	4,800
L	16,600
L2	17,800

WEIGHT, KG/M 4,700

MANUFACTURER [SKF](#)

DESIGNATION BS/ISO: 224B