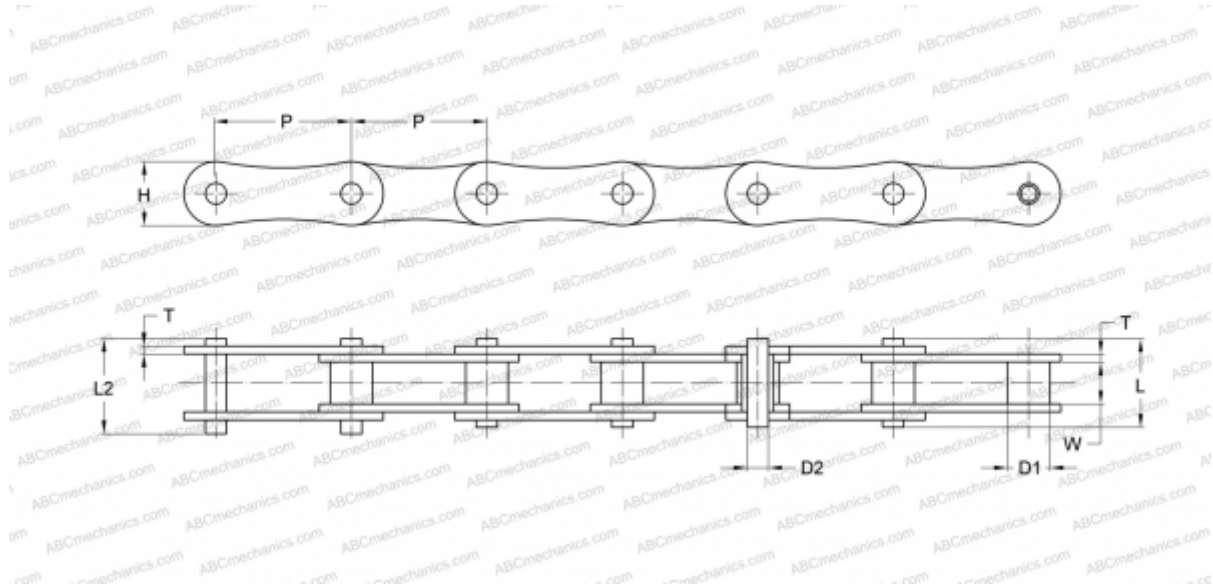


## PHC 2120X10FT SKF

Double Pitch Roller Chain

TYPE: Drive roller chain, Double pitch chain conveyor series, SKF



### Technical specification

#### DIMENSIONS, MM

P	76,200
D1	22,230
W	25,220
D2	11,100
H	35,700
T	4,800
L	16,600
L2	17,800

**WEIGHT, KG/M** 4,060

**MANUFACTURER** [SKF](#)

**DESIGNATION BS/ISO:** 224A

**DESIGNATION ANSI:** 2120