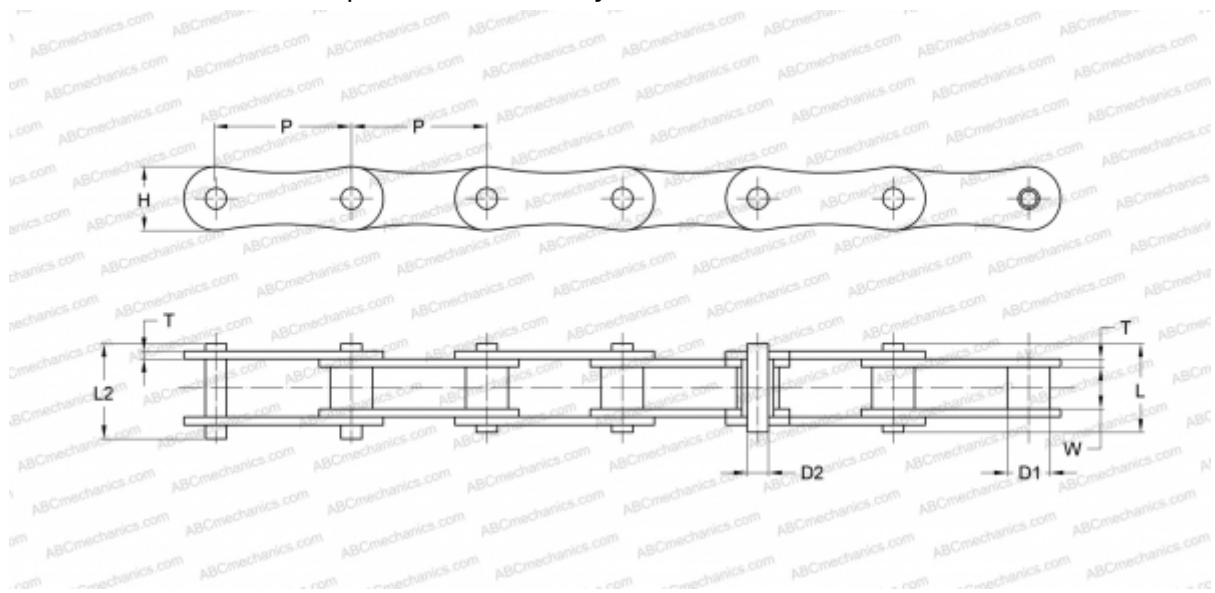


PHC 212BX10FT SKF

Double Pitch Roller Chain

TYPE: Drive roller chain, Double pitch chain conveyor series, SKF



Technical specification

DIMENSIONS, MM

P	38,100
D1	12,070
W	11,680
D2	5,720
H	16,000
T	1,850
L	16,600
L2	17,800

WEIGHT, KG/M 0,760

MANUFACTURER [SKF](#)

DESIGNATION BS/ISO: 212B