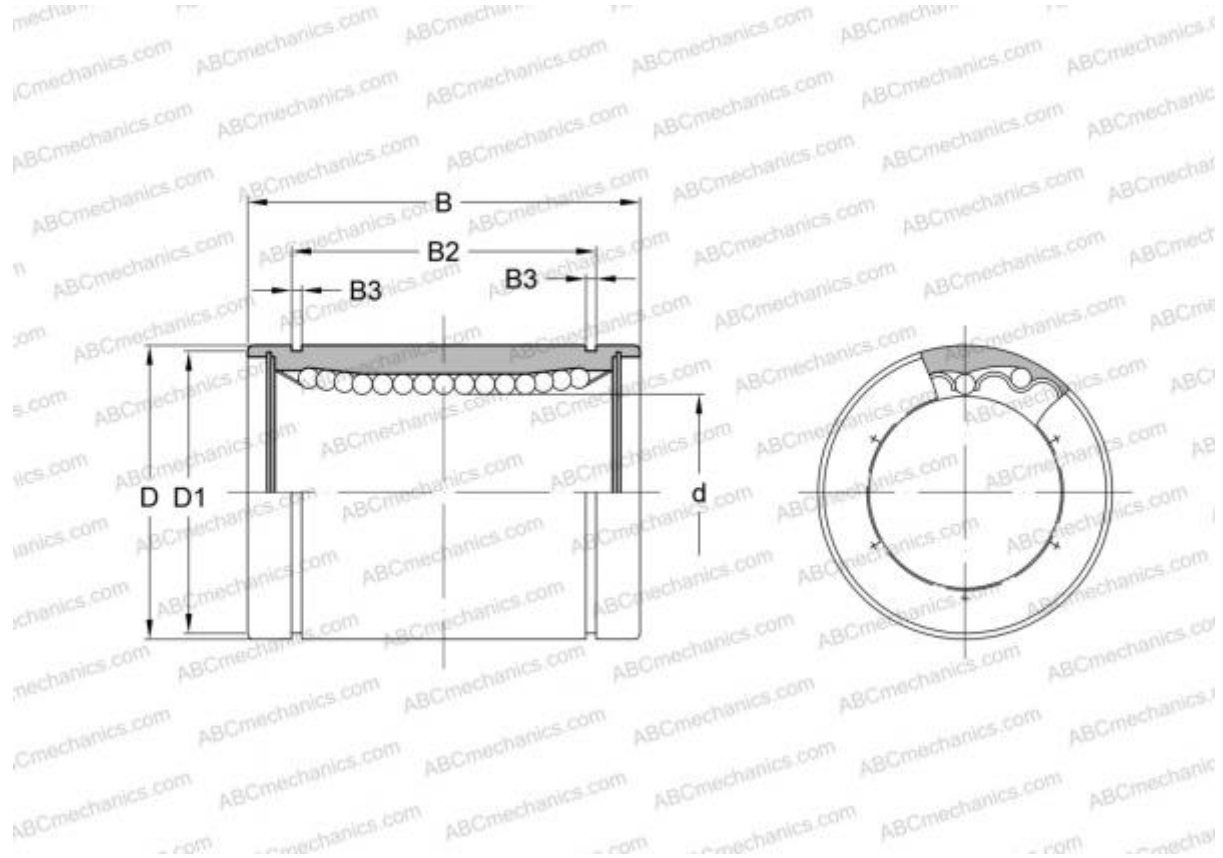


LBE 12 IKO

Linear bushing

TYPE: Shaft guidance systems, Linear bushing, Standard, Close type, Type LBE



Technical specification

DIMENSIONS, MM

d	12,000
D	22,000
B	32,000

WEIGHT, KG 0,037

MANUFACTURER [IKO](#)

INTERCHANGE

ABC	LBE 12
STAR	0600-012-00
THOMSON	0600-012-00
INA	KB 1232
SKF	LBCR 12
FAG	LAA 12x22x32

CALCULATION DATA

Basic dynamic load rating min	0,284 kN
Basic dynamic load rating max	0,327 kN
Basic static load rating min	0,575 kN
Basic static load rating max	0,813 kN