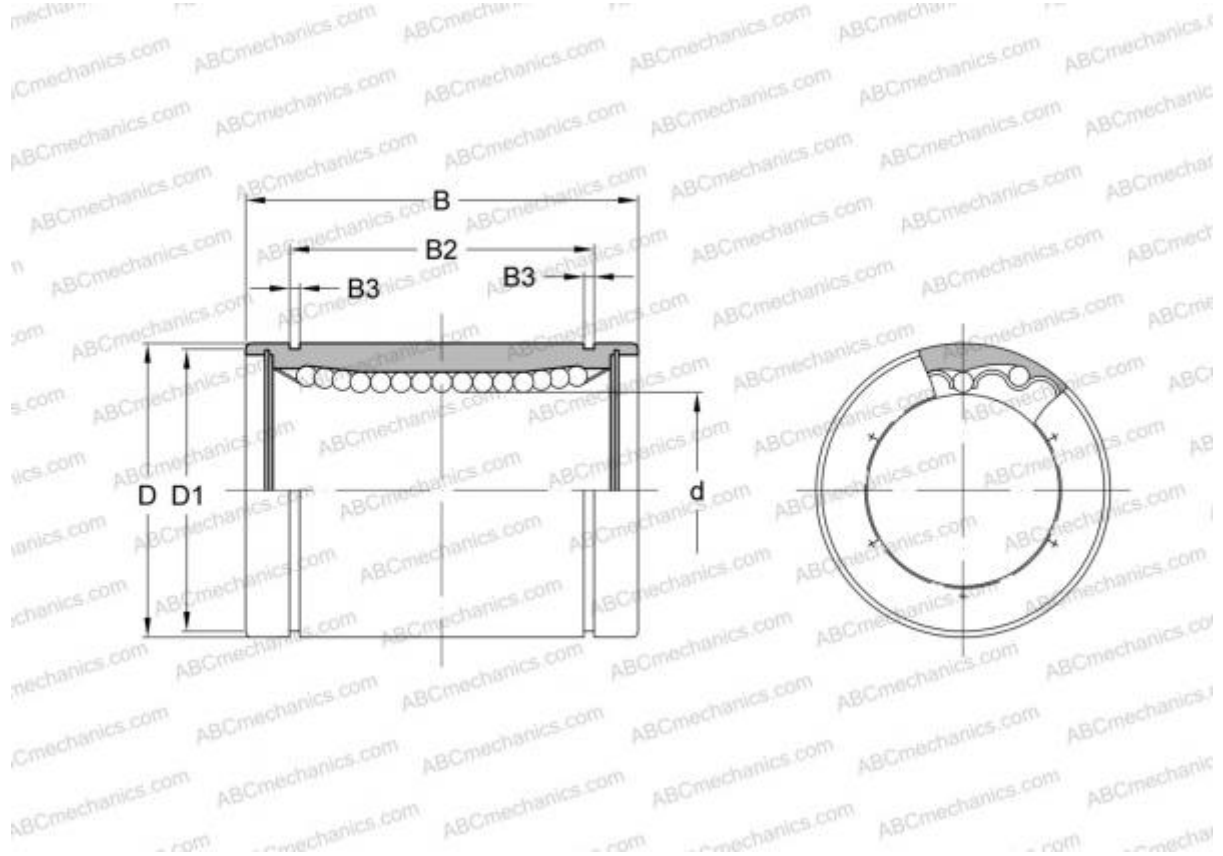


## 0600-016-00 STAR

Linear bushing

TYPE: Shaft guidance systems, Linear bushing, Standard, Close type, Type LBE



### Technical specification

#### DIMENSIONS, MM

d	16,000
D	26,000
B	36,000

**MANUFACTURER** [STAR](#)

#### INTERCHANGE

ABC	<a href="#">LBE 16</a>
IKO	<a href="#">LBE 16</a>
THOMSON	<a href="#">0600-016-00</a>
INA	<a href="#">KB 1636</a>
SKF	<a href="#">LBCR 16</a>
FAG	<a href="#">LAA 16x26x36</a>