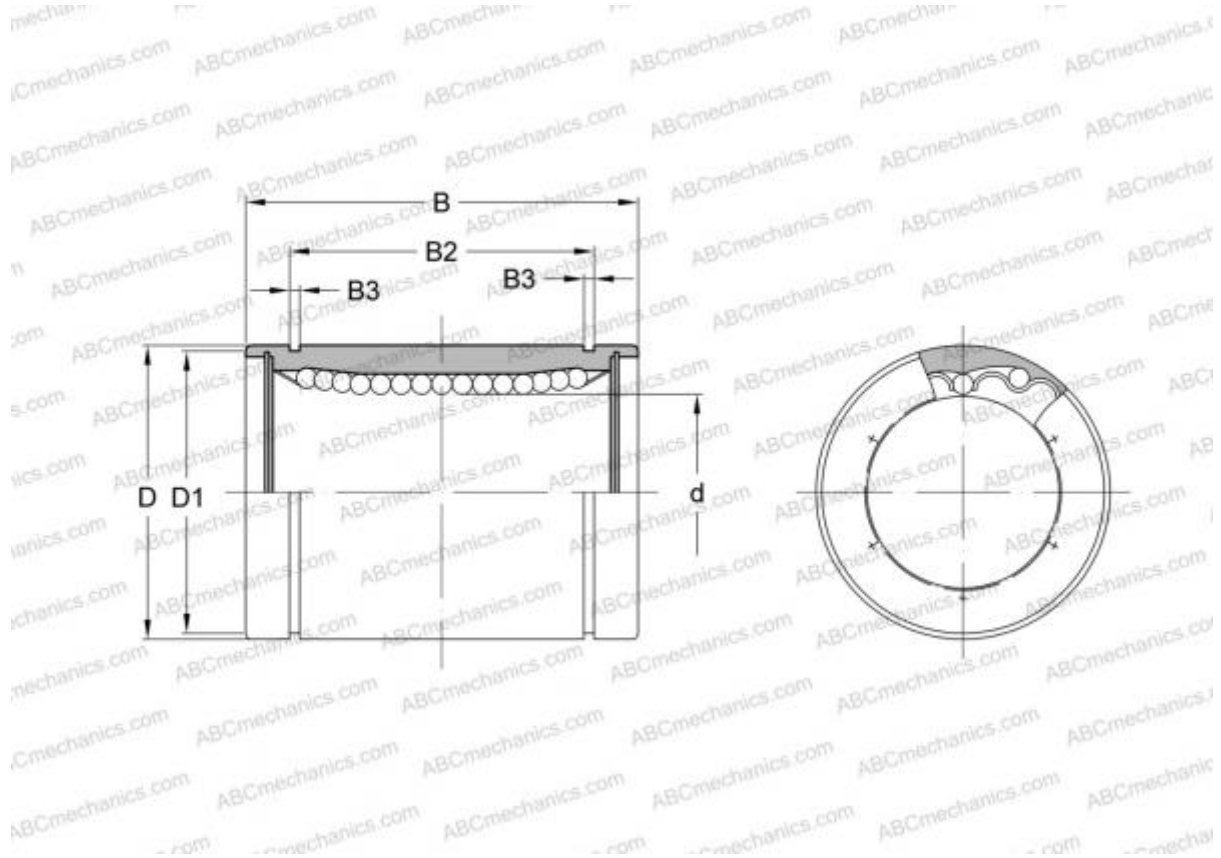


0600-030-00 STAR

Linear bushing

TYPE: Shaft guidance systems, Linear bushing, Standard, Close type, Type LBE



Technical specification

DIMENSIONS, MM

d	30,000
D	47,000
B	68,000

MANUFACTURER

[STAR](#)

INTERCHANGE

ABC	LBE 30
IKO	LBE 30
THOMSON	0600-030-00
INA	KB 3068
SKF	LBCR 30
FAG	LAA 30x47x68