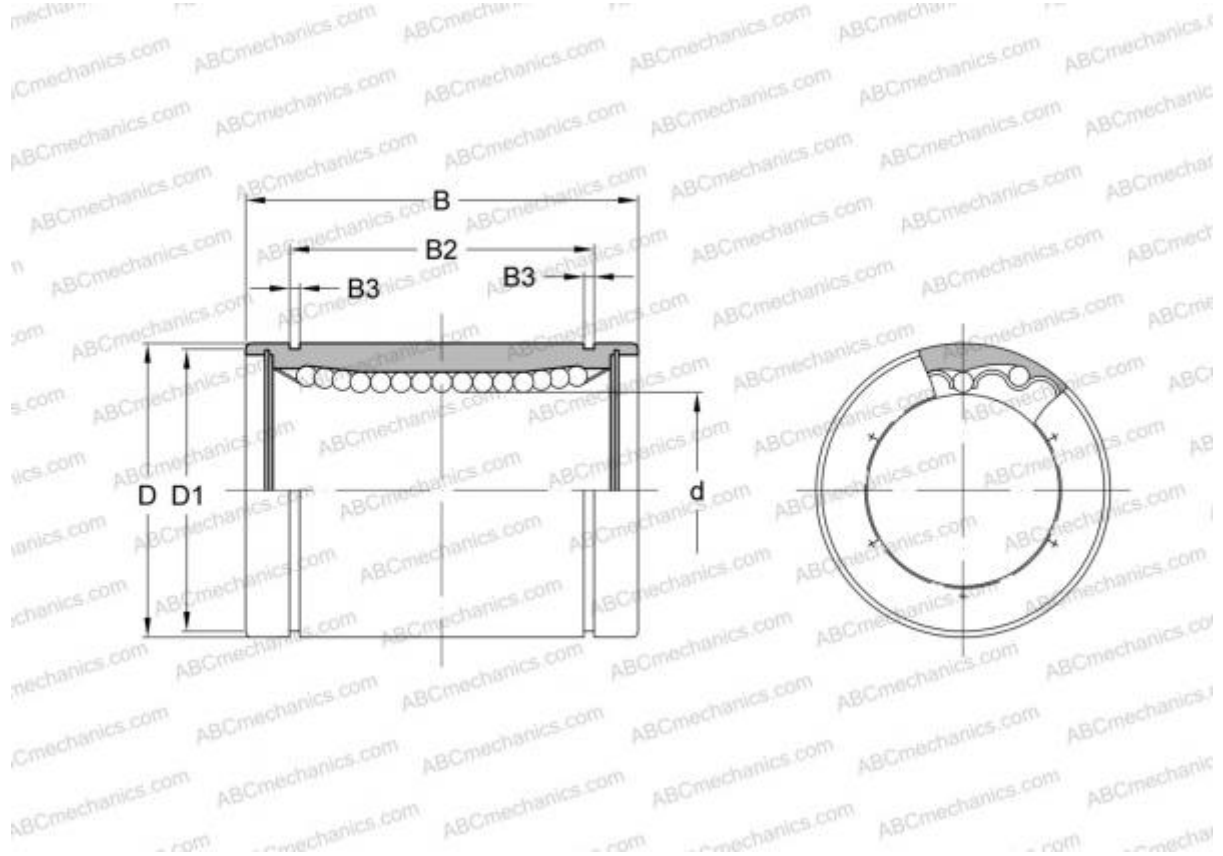


LBE 40 ABC

Linear bushing

TYPE: Shaft guidance systems, Linear bushing, Standard, Close type, Type LBE



Technical specification

DIMENSIONS, MM

d	40,000
D	62,000
B	80,000

WEIGHT 0,555

MANUFACTURER [ABC](#)

INTERCHANGE

IKO	LBE 40
STAR	0600-040-00
THOMSON	0600-040-00
INA	KB 4080
SKF	LBCR 40
FAG	LAA 40x62x80