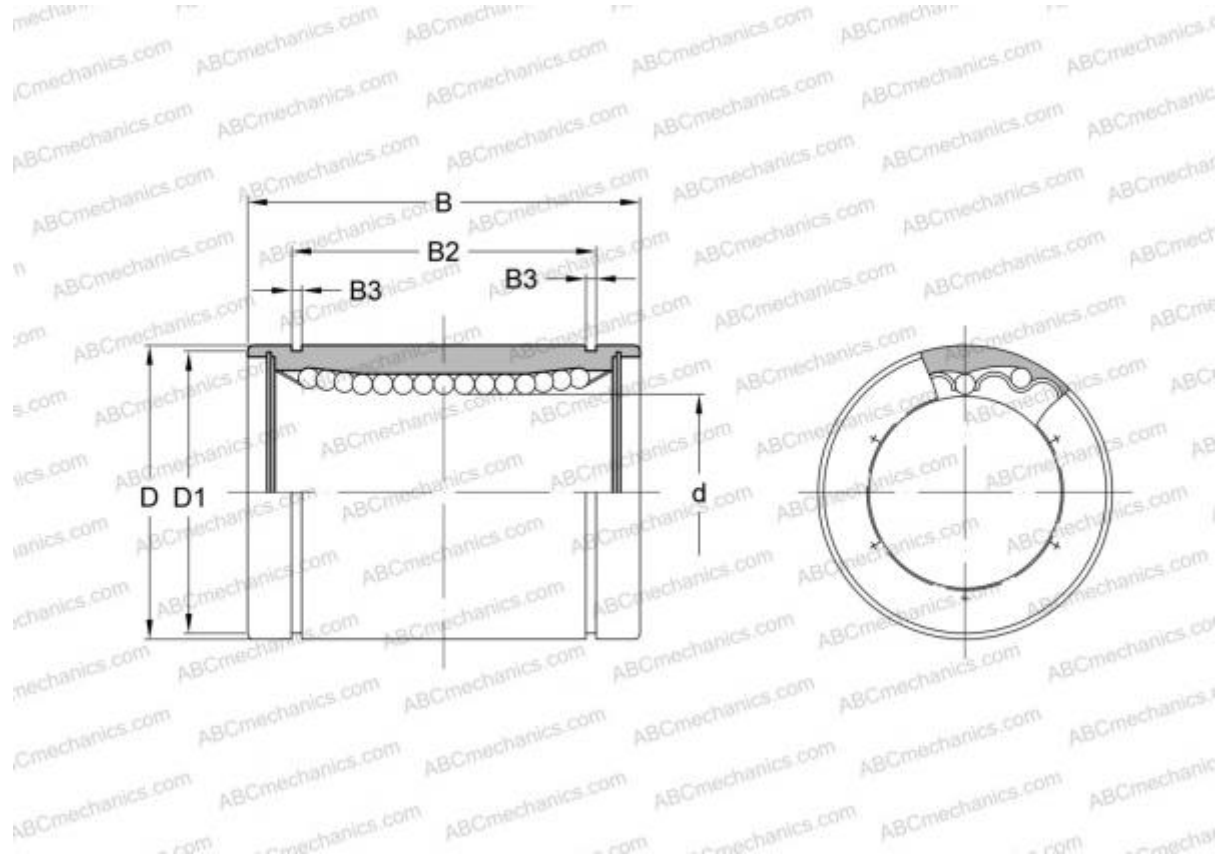


LBE 50 IKO

Linear bushing

TYPE: Shaft guidance systems, Linear bushing, Standard, Close type, Type LBE



Technical specification

DIMENSIONS, MM

d	50,000
D	75,000
B	100,000

WEIGHT 0,935

MANUFACTURER [IKO](#)

INTERCHANGE

ABC	LBE 50
STAR	0600-050-00
THOMSON	0600-050-00
INA	KB 50100
SKF	LBCR 50
FAG	LAA 50x75x100

CALCULATION DATA

Basic dynamic load rating min	3,940 kN
Basic dynamic load rating max	4,180 kN
Basic static load rating min	7,130 kN
Basic static load rating max	9,120 kN